

LOS ARCOS BASE:



Part # LOS6 (Los Arcos base, 6' jig & hardware)

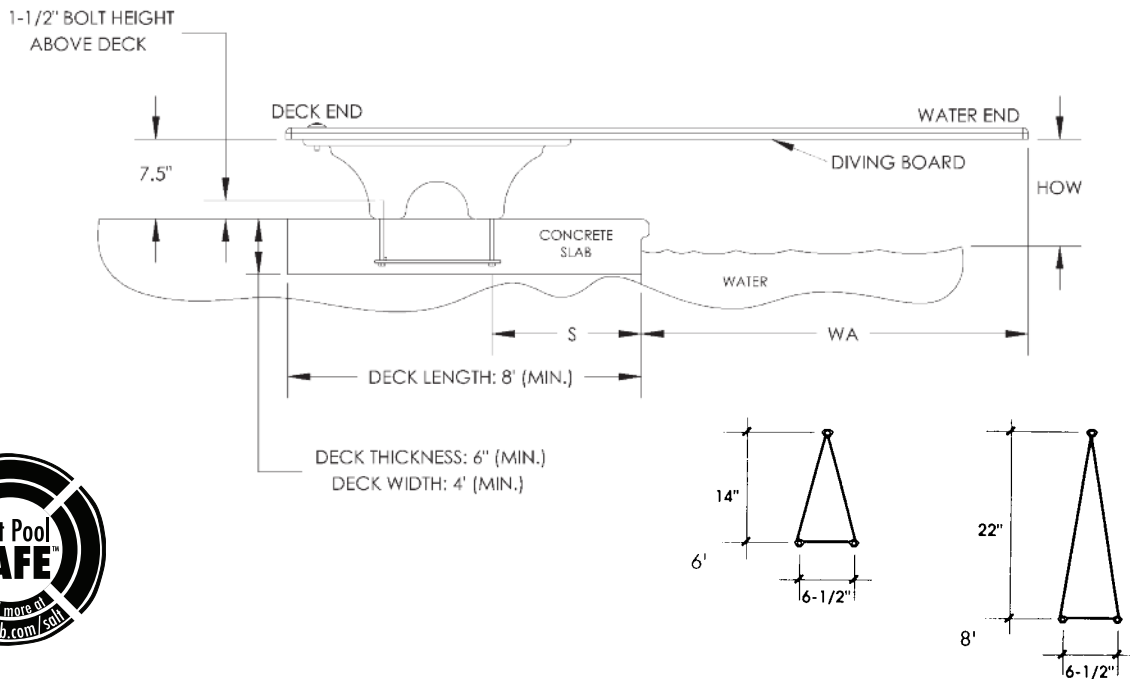
Part # LOS8 (Los Arcos base, 8' jig & hardware)

See page 133 for paver jig info.

Compatible with Epoxy Mounting Kit Part # EPX-5

FEATURES:

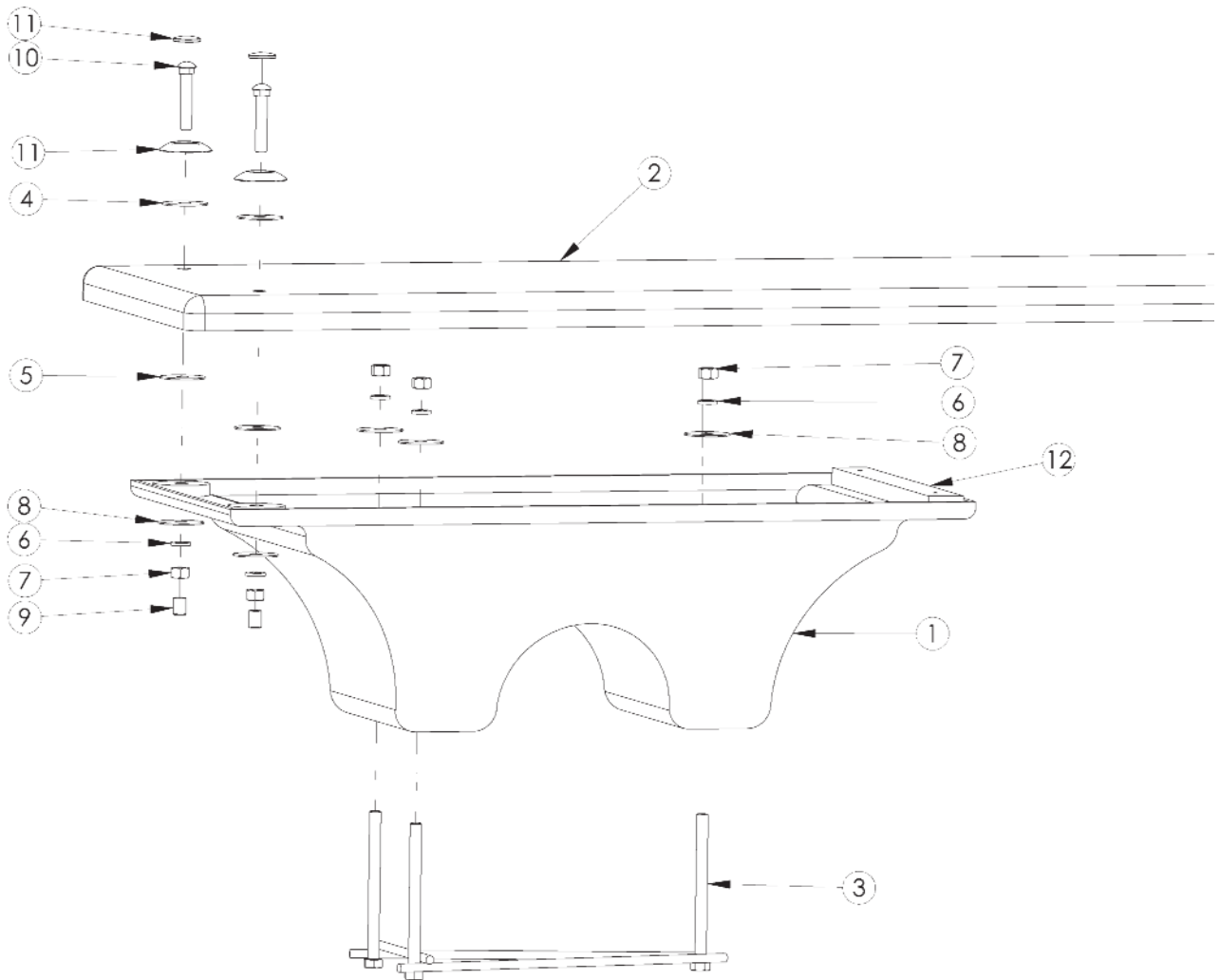
- Passive Base - Spring Feature is Derived from Board Only
- Durable & Long Lasting Acrylic & Fiberglass Construction
- Weight Limit = 250 lbs.
- Available in 6' or 8' Set-Ups
- 2 Hole Drill Pattern 12" on center
- Refer to Board Chart on Pg. 7
- Refer to Available Base Colors on Pg. 7



IMPORTANT:
 THESE DIMENSIONS ARE ACCURATE ONLY FOR VERTICAL POOL WALLS, TYPICALLY GUNITE CONSTRUCTION, WITH LESS THAN A 3' RADIUS TO THE POOL FLOOR.
 DUE TO THE VARYING SIZES OF VINYL LINER CONSTRUCTION, IF YOU REQUIRE A JIG PLACEMENT, PLEASE REACH OUT TO OUR CUSTOMER SERVICE TEAM AT LEAST 24 HOURS PRIOR TO INSTALLATION. WE REQUIRE THE DRAWING, SIDE VIEW OF POOL, AND WHICH DIVING SYSTEM YOU WILL BE INSTALLING. EMAIL INFORMATION TO CUSTOMERSERVICE@INTER-FAB.COM.
1-800-737-5386

LOS ARCOS PART #	NOMINAL BOARD LENGTH	ANSI/POOL TYPE	DISTANCE FROM WATER'S EDGE TO FORWARD JIG BOLT (S)	DISTANCE FROM END OF BOARD TO FORWARD JIG BOLT	MIN. OVERHANG (WA)	MAX HEIGHT OF BOARD ABOVE WATER (HOW)
LOS6	6'	I	27.5"	45.5"	18"	20"
LOS6	6'	II	27.5"	45.5"	18"	20"
LOS6	6'	III	21.5"	45.5"	24"	26"
LOS6	6'	IV	15.5"	45.5"	30"	30"
LOS6	6'	V	9.5"	45.5"	36"	40"
LOS8	8'	I	NOT ALLOWED			
LOS8	8'	II	41.25"	59.25"	18"	20"
LOS8	8'	III	35.25"	59.25"	24"	26"
LOS8	8'	IV	29.25"	59.25"	30"	30"
LOS8	8'	V	23.25"	59.25"	36"	40"

LOS ARCOS BASE (LOS6):



DRAWING REPRESENTS THE FOLLOWING PART NUMBERS:

LOS6 (shown)
LOS8

Check your local electrical code requirements for bonding requirements.

ITEM #	COMPONENT	DESCRIPTION	KITS – QTY. COUNTS		
			DB-TB-M	LM-BK	LOS ARCOS
1	LOS6	6' Los Arcos Fiberglass Diving Base			1
2	DB6WW	6' Duro-Beam White w/White Top Tread & Hdw Kit			1
3	LM-J6	6' La Mesa/Los Arcos Mounting Jig			1
4	H-1/2 BLK WASH	1/2 x 2" Black Rubber Washer	2		
5	H-1/2 RED WASH	1/2 x 2" Red Rubber Washer	2		
6	H-SS 1/2 LOC WA	1/2 Lock Washer S.S.	2	3	
7	H-SS 1/2 H NUT	1/2"- 13 Hex Finish Nut S.S.	2	3	
8	H-SS 1/2 F WASH	1/2 USS Flat Washer S.S.	2	3	
9	H-1-1/2 WHT CAP	.750 x 1-1/2 White UV Nut Cap	2		
10	H-SS 5 C BOLT	1/2-13 x 5 Carriage Bolt S.S.	2		
11	H-WHT WAS/CAP	I.F. White Washer/Cap	2		
12	LM-FP	La Mesa/Los Arcos Rubber Fulcrum Pad			1
13*	H-ANTI-SEIZE	Packet of Anti Seize Lubricant (not shown)	1		

DB-TB-M:
Board to Base Mounting Hardware

LM-BK:
Base to Jig Mounting Hardware

* not pictured

NOTES:

DB6WW diving board shown in exploded view for illustration purposes. Must be purchased separately. Other diving board options available. Protective Caps for bolts available in White only.