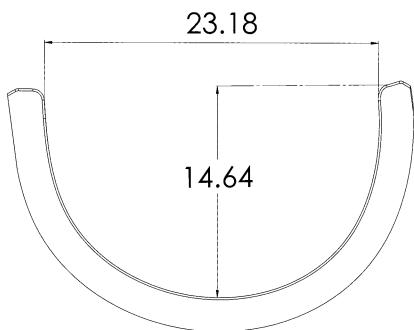
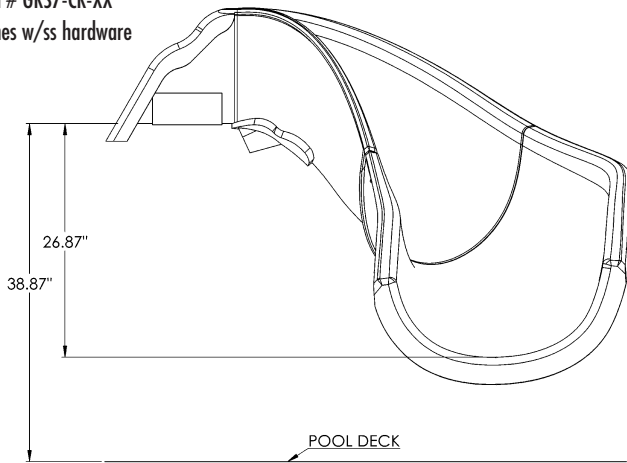


GARDEN RIDE SERIES – 7' SLIDE:

Part # GRS7-CR-XX
comes w/ss hardware



FEATURES:

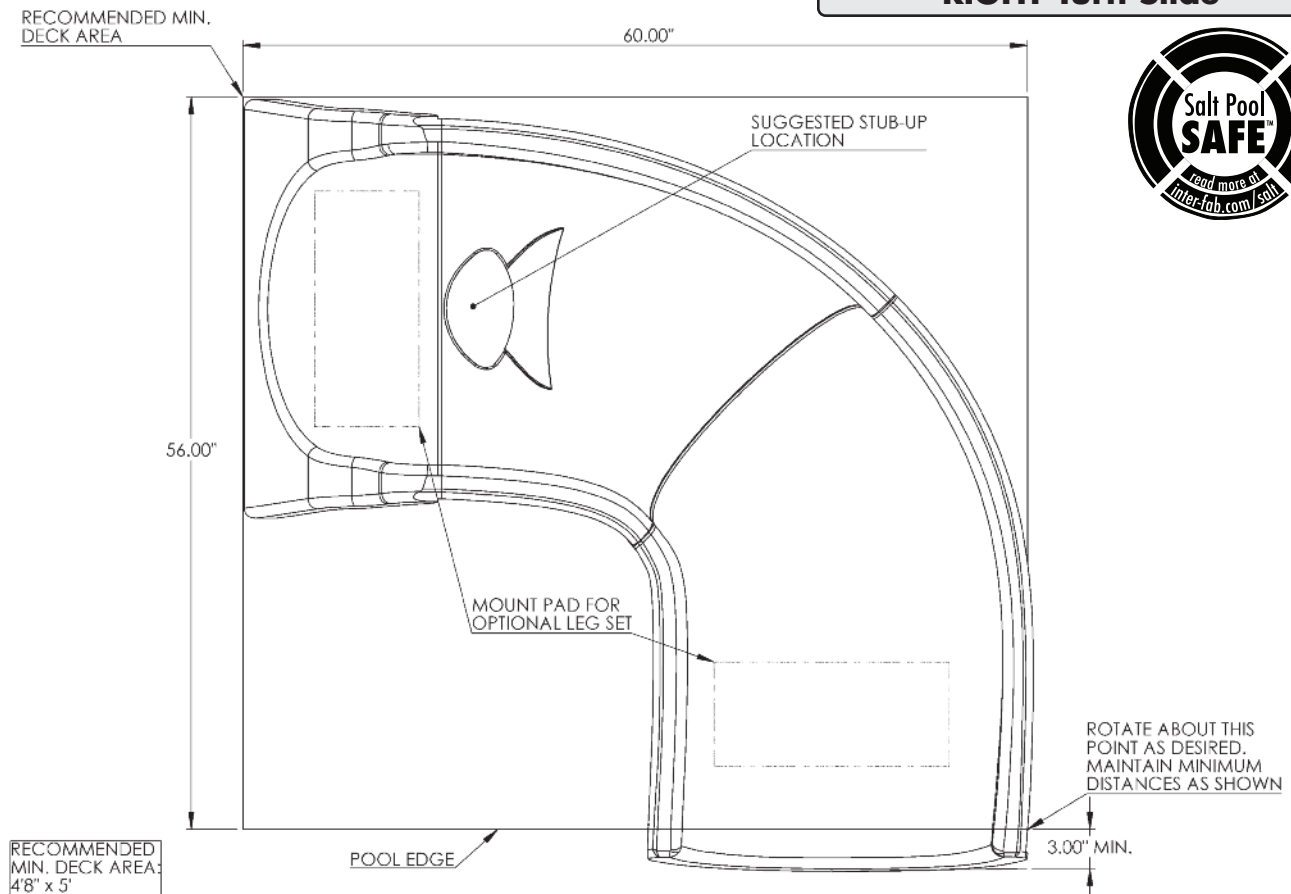
- Exclusive Zoom Flume™ Water Delivery System
- Optional Stainless Steel Anchoring System Available
- Stainless Steel Hardware Included
- Powder Coated Handrails Included
- Variety of Earth Tones & Granite Colors Available
- Advanced High-Tech RTM Manufacturing
- Weight Limit = 350 lbs.
- 20-40 GPM (Actual GPM rating will vary depending on specific pool size and pool equipment used.)
- Multiple Patents Pending
- *Matching Products:* The T7 Diving System™, Pool/Spa Table™, Pool/Spa Seat™, Sun Shelf Tables™, and In-Pool Lounger™ are designed to match the Landscape Slide products perfectly for a complete designer pool look.
- 1 Year Warranty
- See page 167 for GRS Product Selection Guide with Part Numbers

GARDEN RIDE SLIDE COLORS AVAILABLE:

Tan: -51; Gray: -52; Summit Gray: -53; Mont Blanc: -54; Pebble: -55; Fashion Gray: -56; Cappuccino: -57; Autumn Sun: -58; Safari Sunrise: -59; Starry Night: -60; and Seashell: -61

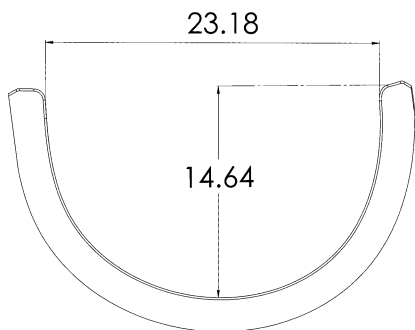
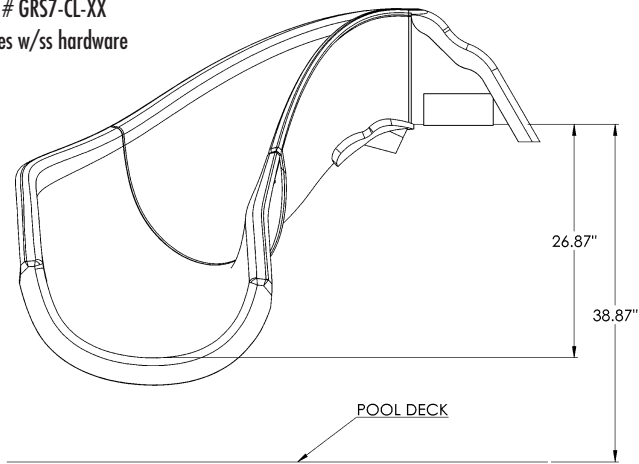
(add custom color code behind part #)

7' Garden Ride Footprint for RIGHT Turn Slide



GARDEN RIDE SERIES – 7' SLIDE:

Part # GRS7-CL-XX
comes w/ss hardware



FEATURES:

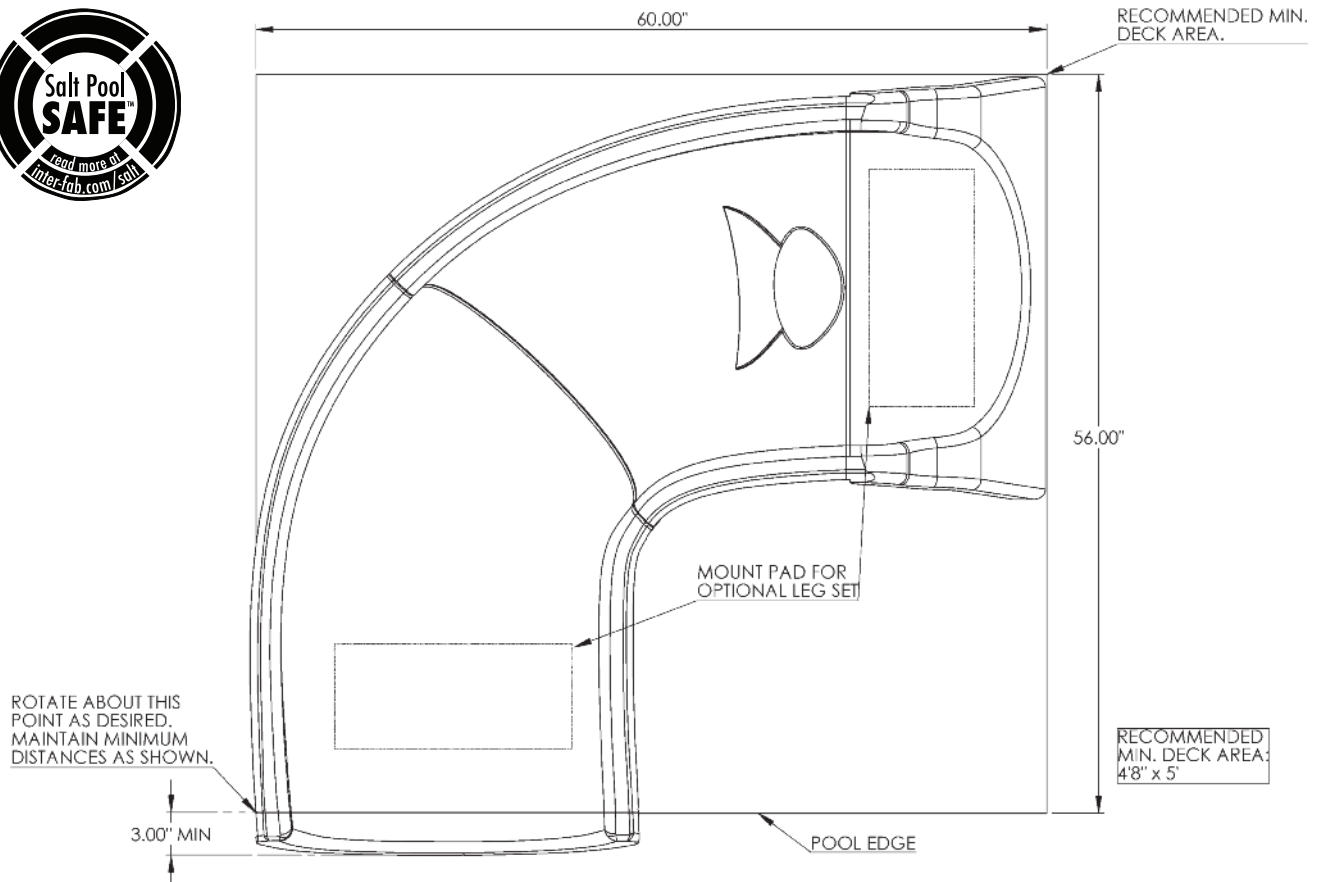
- Exclusive Zoom Flume™ Water Delivery System
- Optional Stainless Steel Anchoring System Available
- Stainless Steel Hardware Included
- Powder Coated Handrails Included
- Variety of Earth Tones & Granite Colors Available
- Advanced High-Tech RTM Manufacturing
- Weight Limit = 350 lbs.
- 20-40 GPM (Actual GPM rating will vary depending on specific pool size and pool equipment used.)
- Multiple Patents Pending
- *Matching Products:* The T7 Diving System™, Pool/Spa Table™, Pool/Spa Seat™, Sun Shelf Tables™, and In-Pool Lounger™ are designed to match the Landscape Slide products perfectly for a complete designer pool look.
- 1 Year Warranty
- See page 167 for GRS Product Selection Guide with Part Numbers

GARDEN RIDE SLIDE COLORS AVAILABLE:

Tan: -51; Gray: -52; Summit Gray: -53; Mont Blanc: -54; Pebble: -55; Fashion Gray: -56; Cappuccino: -57; Autumn Sun: -58; Safari Sunrise: -59; Starry Night: -60; and Seashell: -61

(add custom color code behind part #)

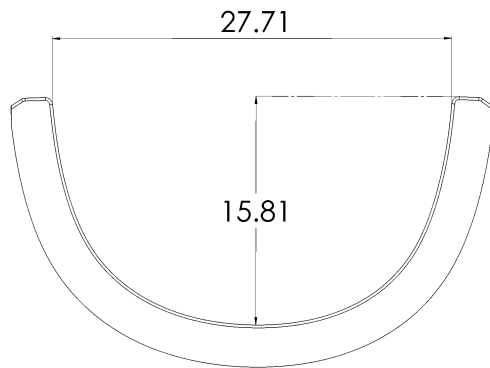
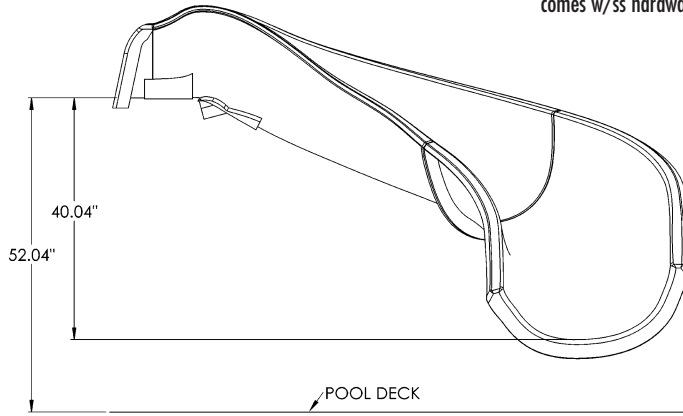
7' Garden Ride Footprint for LEFT Turn Slide



RESIDENTIAL SLIDES

GARDEN RIDE SERIES – 10' SLIDE:

Part # GRS10-CR-XX
comes w/ss hardware



FEATURES:

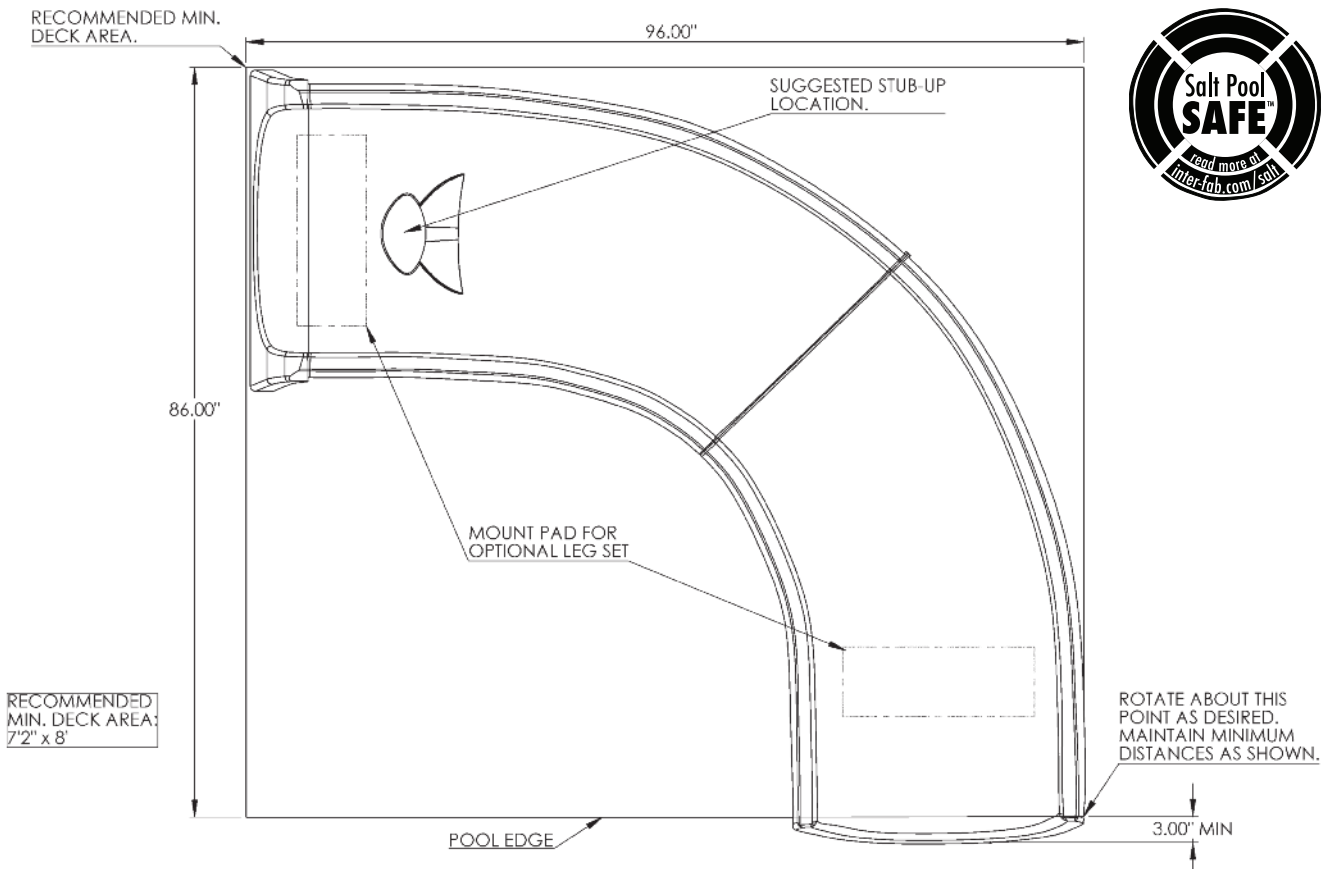
- Exclusive Zoom Flume™ Water Delivery System
- Optional Stainless Steel Anchoring System Available
- Stainless Steel Hardware Included
- Powder Coated Handrails Included
- Variety of Earth Tones & Granite Colors Available
- Advanced High-Tech RTM Manufacturing
- Weight Limit = 350 lbs.
- 20-40 GPM (Actual GPM rating will vary depending on specific pool size and pool equipment used.)
- Multiple Patents Pending
- *Matching Products:* The T7 Diving System™, Pool/Spa Table™, Pool/Spa Seat™, Sun Shelf Tables™, and In-Pool Lounger™ are designed to match the Landscape Slide products perfectly for a complete designer pool look.
- 1 Year Warranty
- See page 167 for GRS Product Selection Guide with Part Numbers

GARDEN RIDE SLIDE COLORS AVAILABLE:

Tan: -51; Gray: -52; Summit Gray: -53; Mont Blanc: -54; Pebble: -55; Fashion Gray: -56; Cappuccino: -57; Autumn Sun: -58; Safari Sunrise: -59; Starry Night: -60; and Seashell: -61

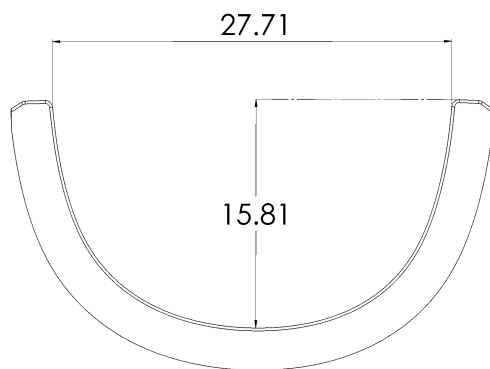
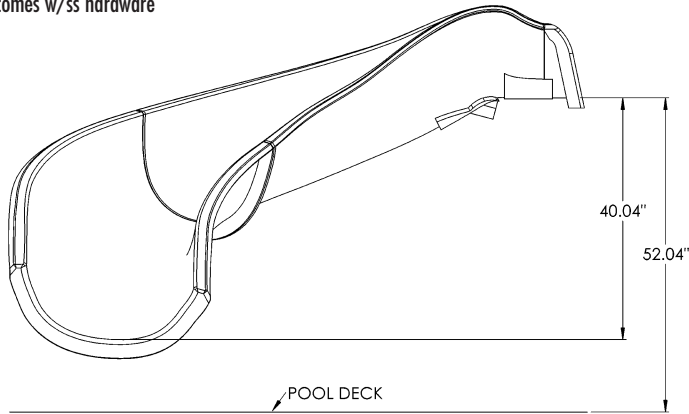
(add custom color code behind part #)

10' Garden Ride Footprint for RIGHT Turn Slide



GARDEN RIDE SERIES – 10' SLIDE:

Part # GRS10-CL-XX
comes w/ss hardware



FEATURES:

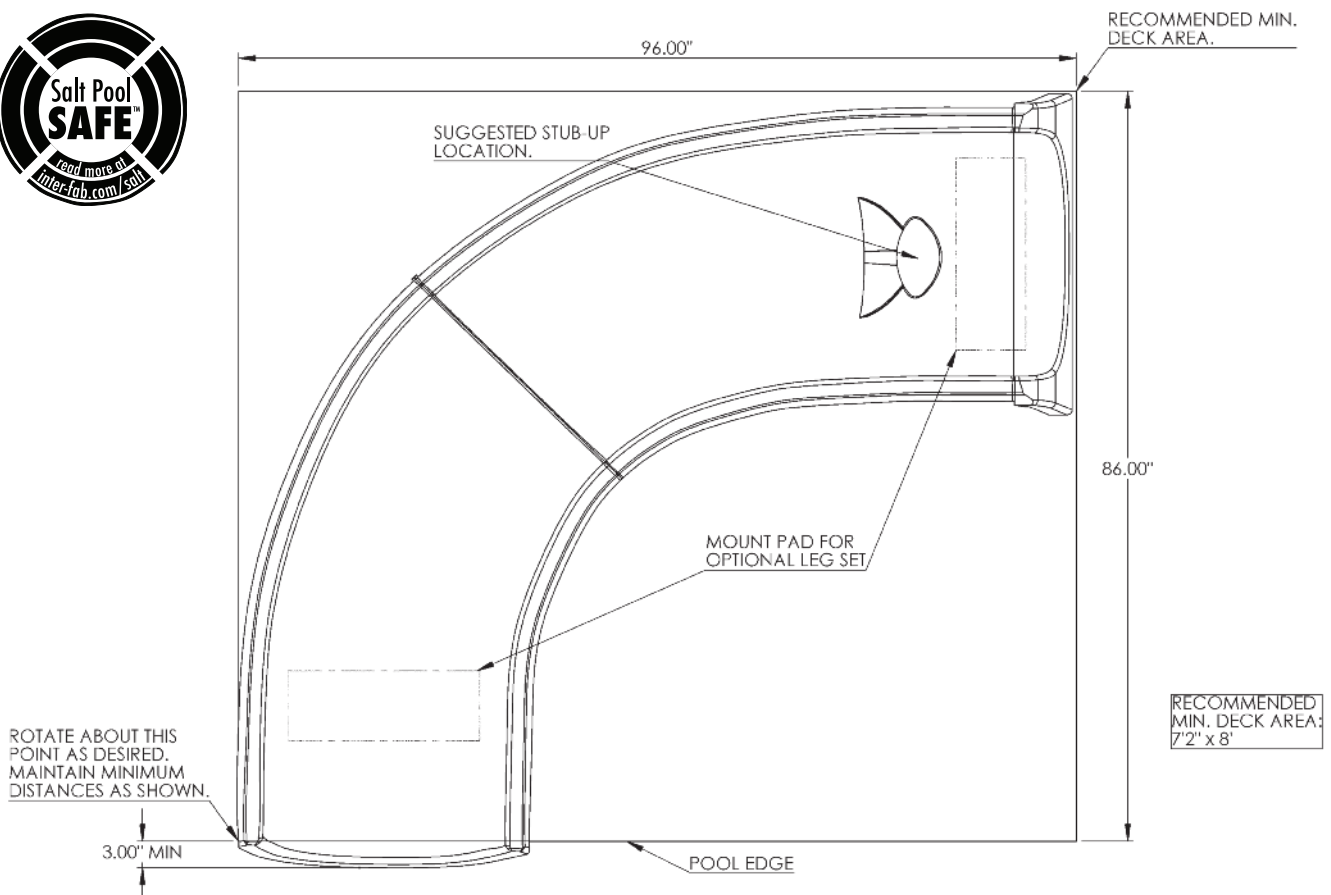
- Exclusive Zoom Flume™ Water Delivery System
- Optional Stainless Steel Anchoring System Available
- Stainless Steel Hardware Included
- Powder Coated Handrails Included
- Variety of Earth Tones & Granite Colors Available
- Advanced High-Tech RTM Manufacturing
- Weight Limit = 350 lbs.
- 20-40 GPM (Actual GPM rating will vary depending on specific pool size and pool equipment used.)
- Multiple Patents Pending
- *Matching Products:* The T7 Diving System™, Pool/Spa Table™, Pool/Spa Seat™, Sun Shelf Tables™, and In-Pool Lounger™ are designed to match the Landscape Slide products perfectly for a complete designer pool look.
- 1 Year Warranty
- See page 167 for GRS Product Selection Guide with Part Numbers

GARDEN RIDE SLIDE COLORS AVAILABLE:

Tan: -51; Gray: -52; Summit Gray: -53; Mont Blanc: -54; Pebble: -55;
Fashion Gray: -56; Cappuccino: -57; Autumn Sun: -58; Safari Sunrise: -59;
Starry Night: -60; and Seashell: -61

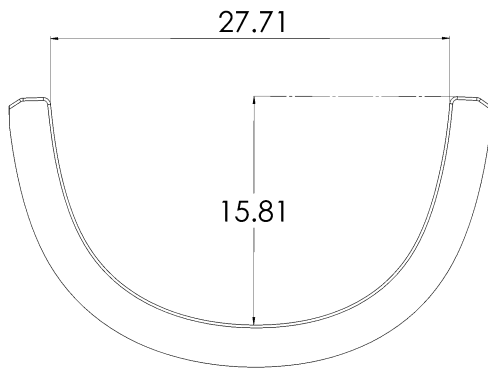
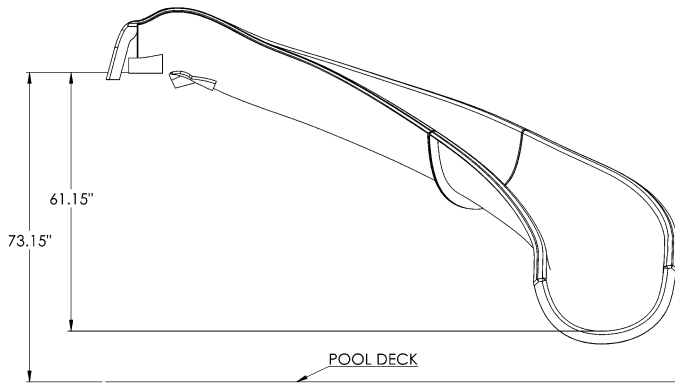
(add custom color code behind part #)

10' Garden Ride Footprint for LEFT Turn Slide



GARDEN RIDE SERIES – 15' SLIDE:

Part # GRS15-CR-XX
comes w/ss hardware



FEATURES:

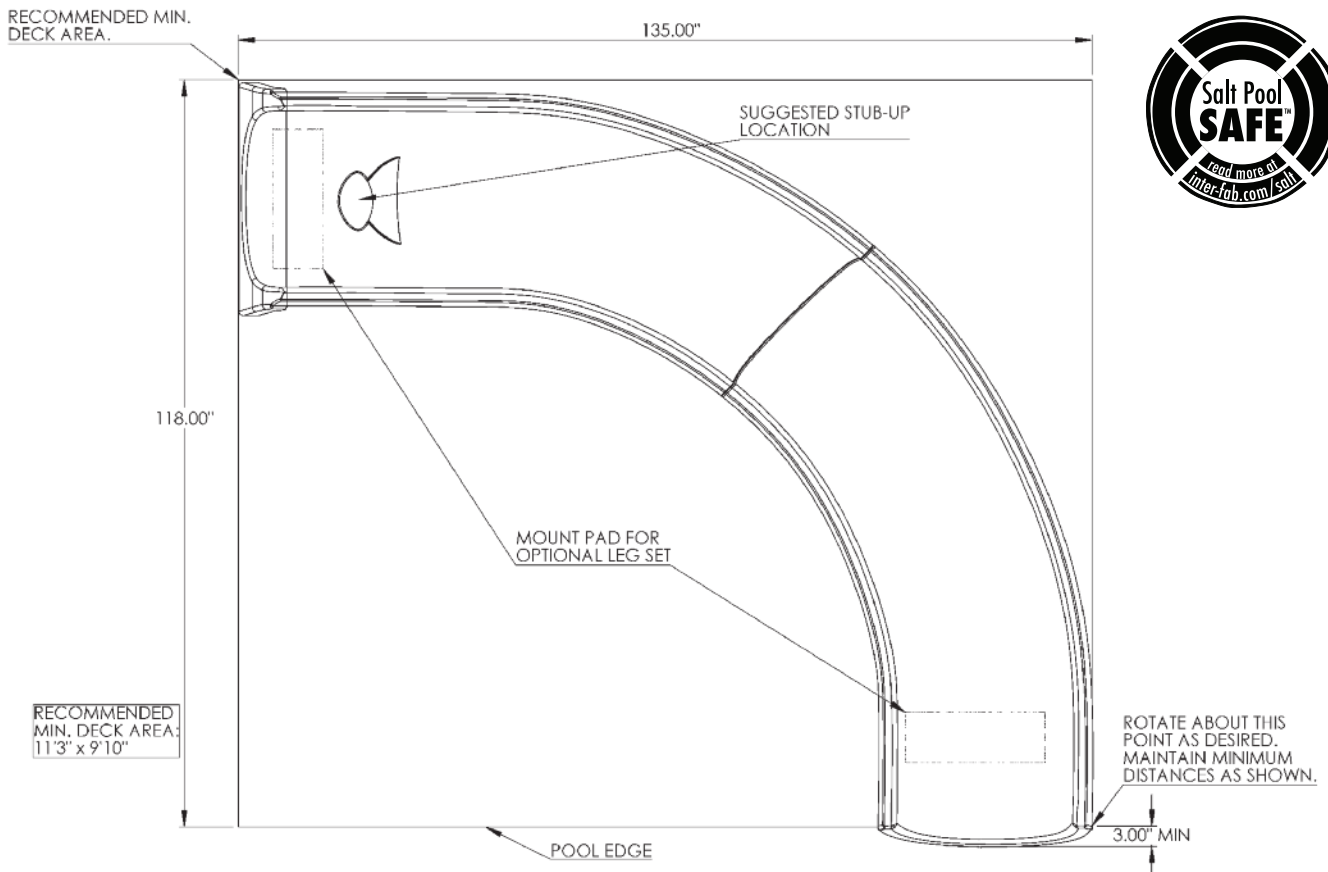
- Exclusive Zoom Flume™ Water Delivery System
- Optional Stainless Steel Anchoring System Available
- Stainless Steel Hardware Included
- Powder Coated Handrails Included
- Variety of Earth Tones & Granite Colors Available
- Advanced High-Tech RTM Manufacturing
- Weight Limit = 350 lbs.
- 20-40 GPM (Actual GPM rating will vary depending on specific pool size and pool equipment used.)
- Multiple Patents Pending
- *Matching Products:* The T7 Diving System™, Pool/Spa Table™, Pool/Spa Seat™, Sun Shelf Tables™, and In-Pool Lounger™ are designed to match the Landscape Slide products perfectly for a complete designer pool look.
- 1 Year Warranty
- See page 167 for GRS Product Selection Guide with Part Numbers

GARDEN RIDE SLIDE COLORS AVAILABLE:

Tan: -51; Gray: -52; Summit Gray: -53; Mont Blanc: -54; Pebble: -55; Fashion Gray: -56; Cappuccino: -57; Autumn Sun: -58; Safari Sunrise: -59; Starry Night: -60; and Seashell: -61

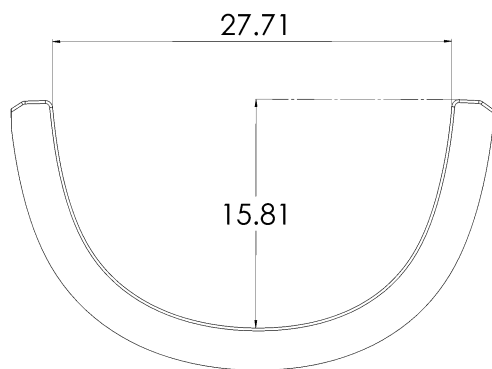
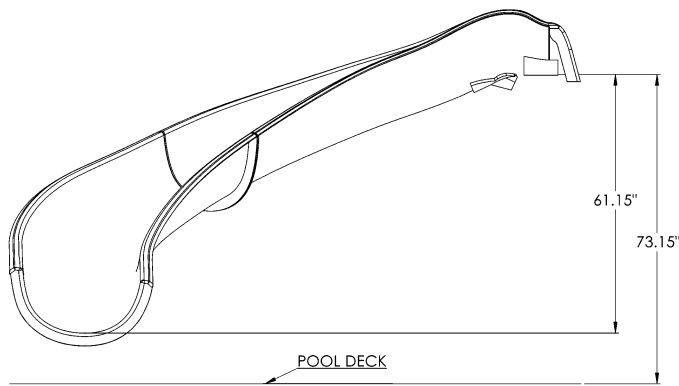
(add custom color code behind part #)

15' Garden Ride Footprint for RIGHT Turn Slide



GARDEN RIDE SERIES – 15' SLIDE:

Part # GRS15-CL-XX
comes w/ss hardware



FEATURES:

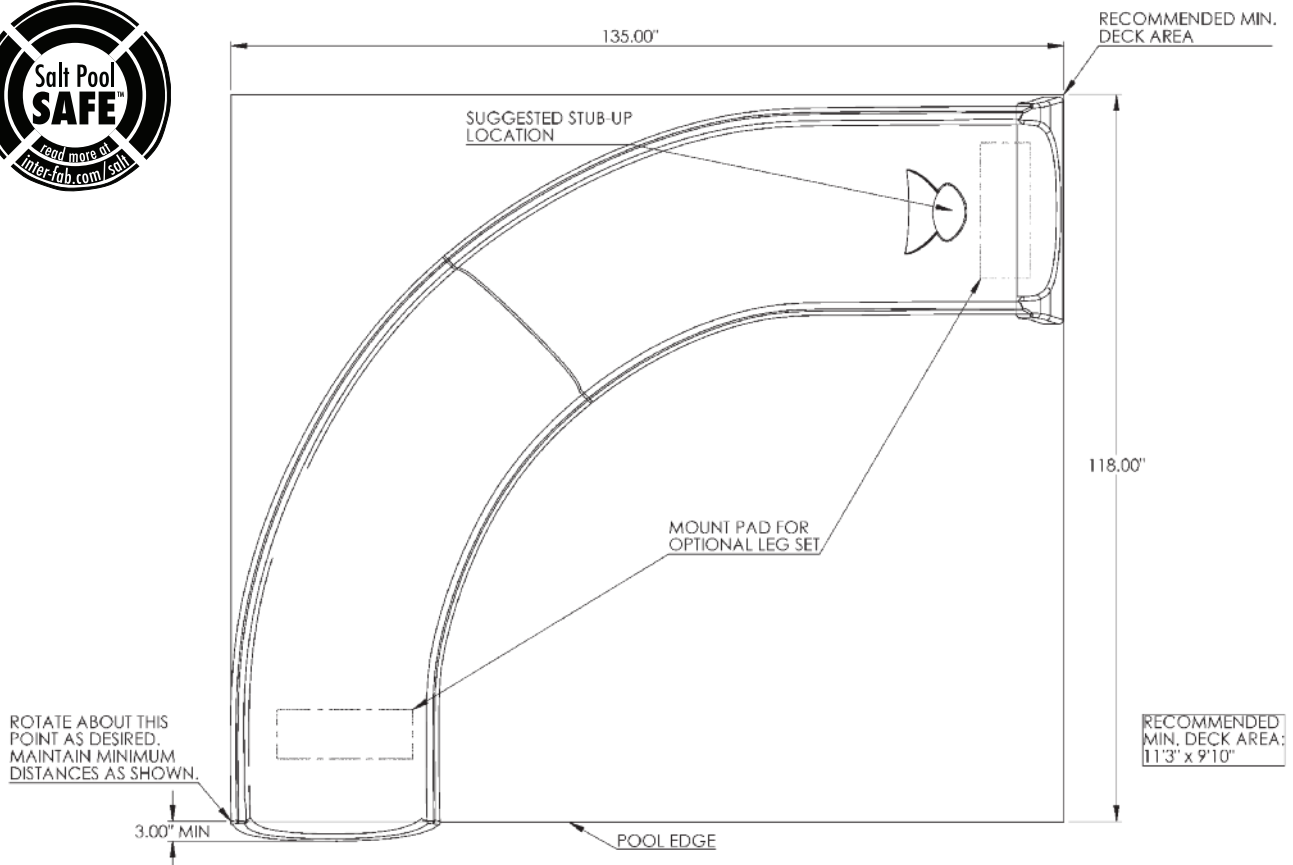
- Exclusive Zoom Flume™ Water Delivery System
- Optional Stainless Steel Anchoring System Available
- Stainless Steel Hardware Included
- Powder Coated Handrails Included
- Variety of Earth Tones & Granite Colors Available
- Advanced High-Tech RTM Manufacturing
- Weight Limit = 350 lbs.
- 20-40 GPM (Actual GPM rating will vary depending on specific pool size and pool equipment used.)
- Multiple Patents Pending
- *Matching Products:* The T7 Diving System™, Pool/Spa Table™, Pool/Spa Seat™, Sun Shelf Tables™, and In-Pool Lounger™ are designed to match the Landscape Slide products perfectly for a complete designer pool look.
- 1 Year Warranty
- See page 167 for GRS Product Selection Guide with Part Numbers

GARDEN RIDE SLIDE COLORS AVAILABLE:

Tan: -51; Gray: -52; Summit Gray: -53; Mont Blanc: -54; Pebble: -55;
Fashion Gray: -56; Cappuccino: -57; Autumn Sun: -58; Safari Sunrise: -59;
Starry Night: -60; and Seashell: -61

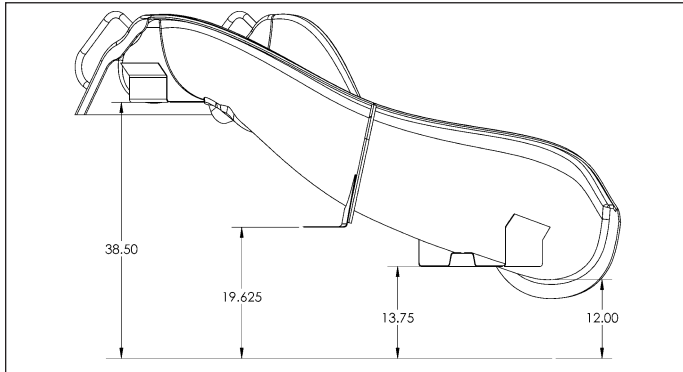
(add custom color code behind part #)

15' Garden Ride Footprint for LEFT Turn Slide

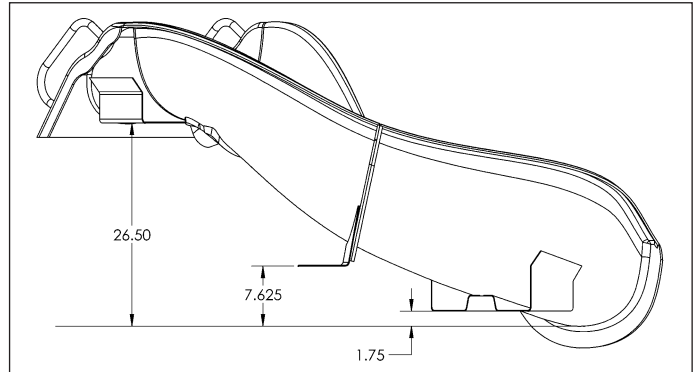


INSTALLATION HEIGHT INFORMATION FOR GARDEN RIDE SERIES – 7’ SLIDE:

MEASUREMENTS: 7’ GRS LEFT TURN

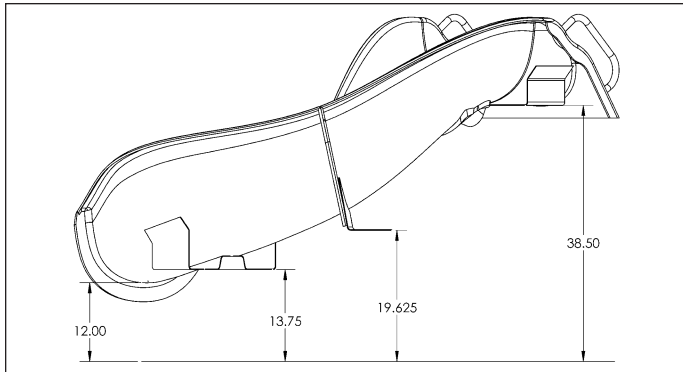


LEFT TURN WITH SUPPORTS

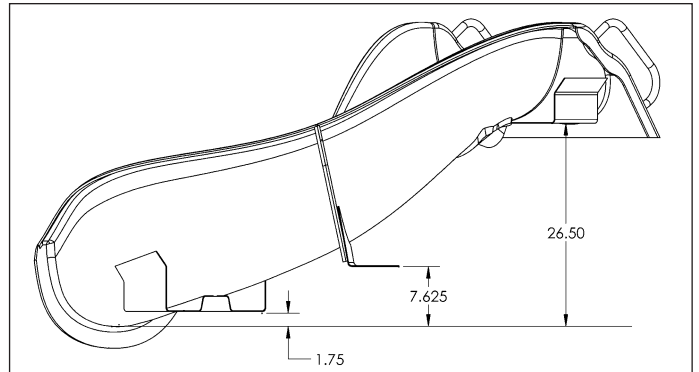


LEFT TURN WITHOUT SUPPORTS

MEASUREMENTS: 7’ GRS RIGHT TURN

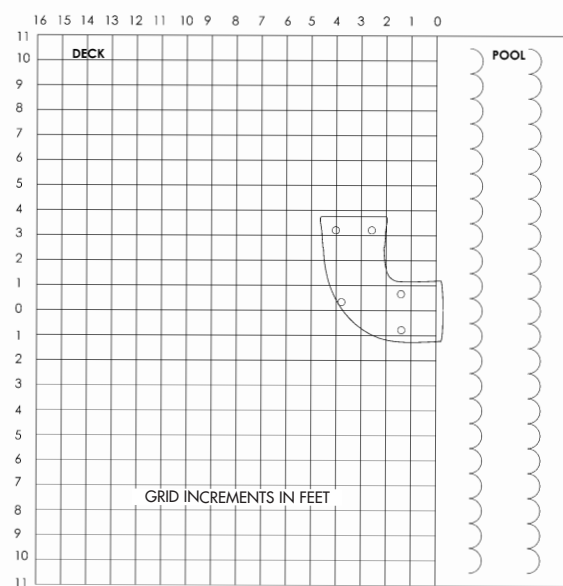


RIGHT TURN WITH SUPPORTS

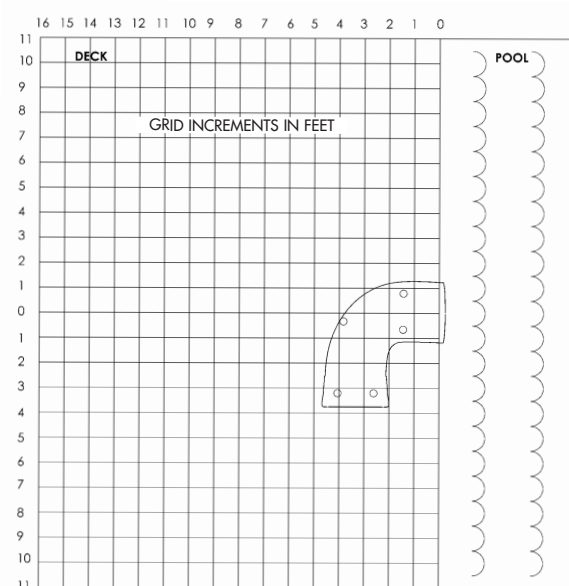


RIGHT TURN WITHOUT SUPPORTS

SLIDE POSITION: 7’ GRS



7’ GRS Left Turn

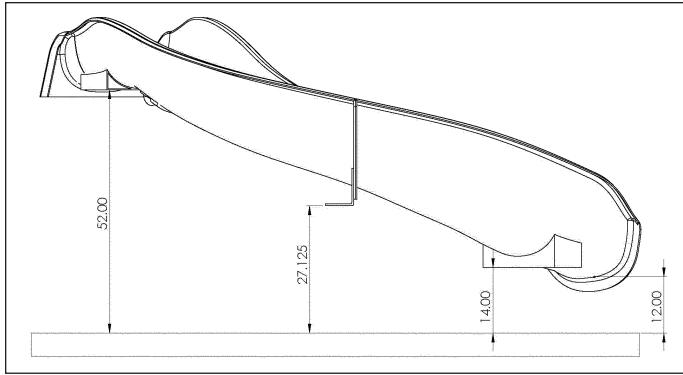


7’ GRS Right Turn

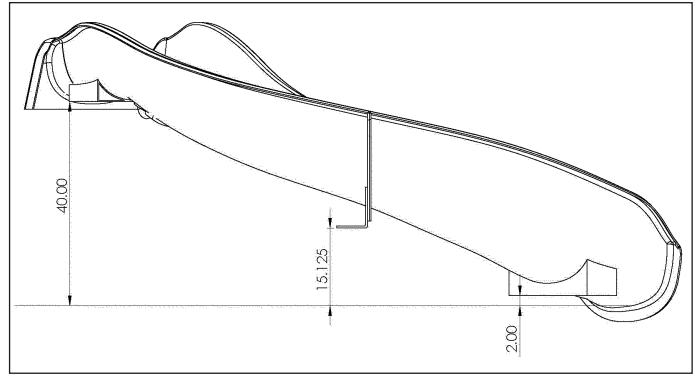
NOTE: Please refer to the installation manual for detailed installation instructions and information.

INSTALLATION HEIGHT INFORMATION FOR GARDEN RIDE SERIES – 10' SLIDE:

MEASUREMENTS: 10' GRS LEFT TURN

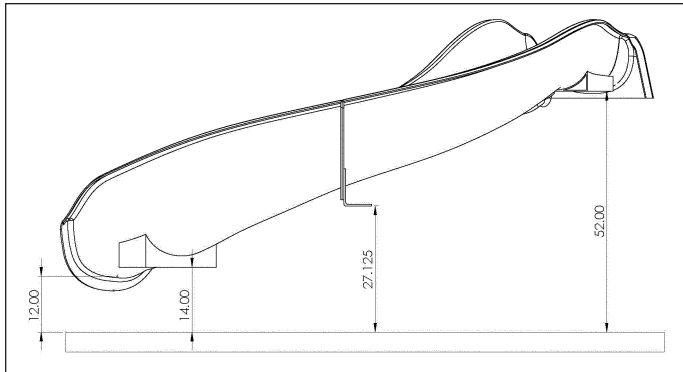


LEFT TURN WITH SUPPORTS

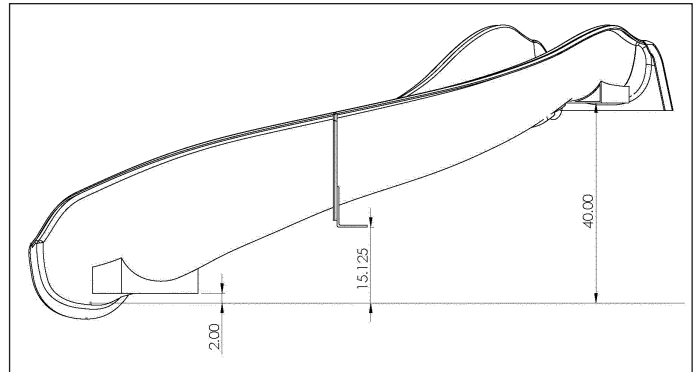


LEFT TURN WITHOUT SUPPORTS

MEASUREMENTS: 10' GRS RIGHT TURN

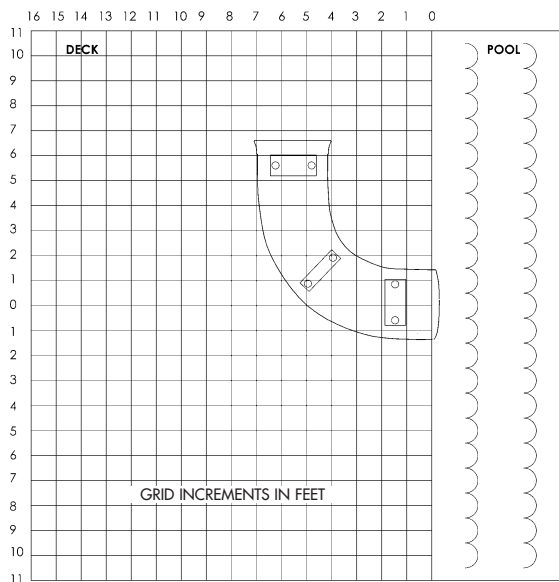


RIGHT TURN WITH SUPPORTS

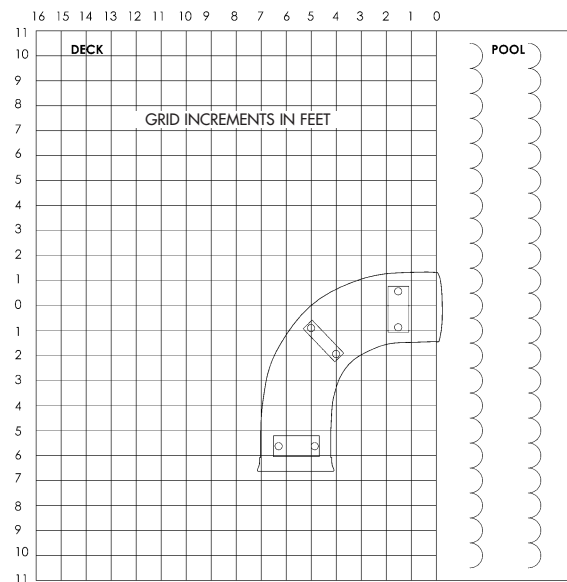


RIGHT TURN WITHOUT SUPPORTS

SLIDE POSITION: 10' GRS



10' GRS Left Turn

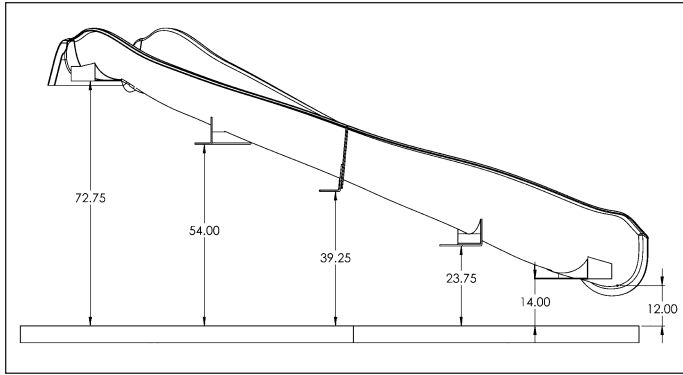


10' GRS Right Turn

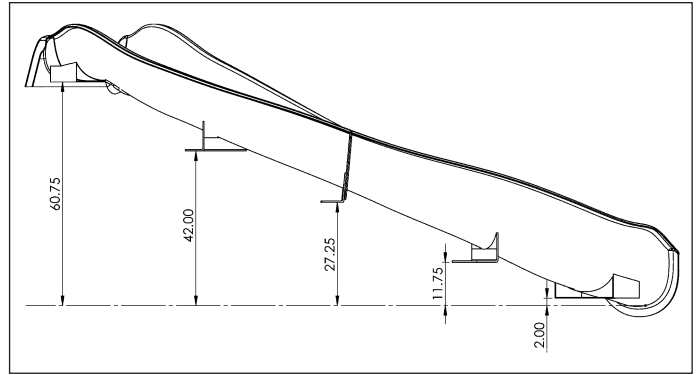
NOTE: Please refer to the installation manual for detailed installation instructions and information.

INSTALLATION HEIGHT INFORMATION FOR GARDEN RIDE SERIES – 15' SLIDE:

MEASUREMENTS: 15' GRS LEFT TURN

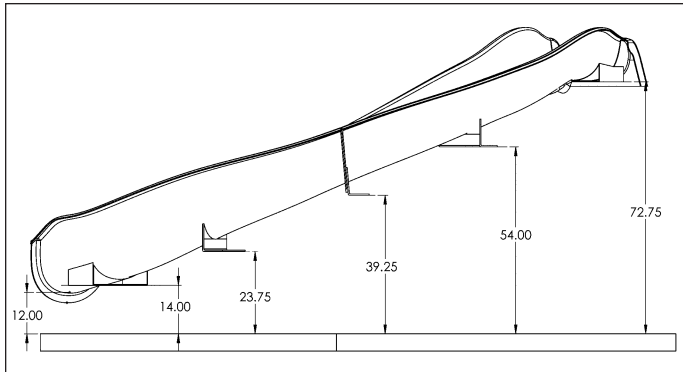


LEFT TURN WITH SUPPORTS

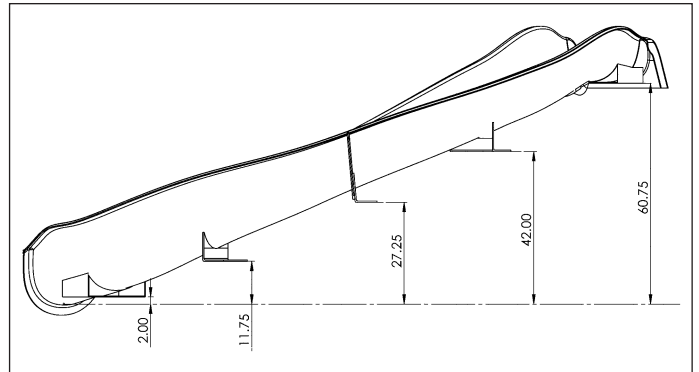


LEFT TURN WITHOUT SUPPORTS

MEASUREMENTS: 15' GRS RIGHT TURN

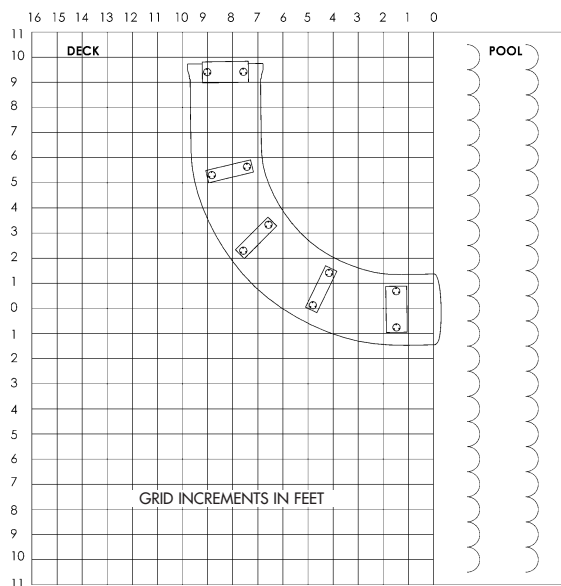


RIGHT TURN WITH SUPPORTS

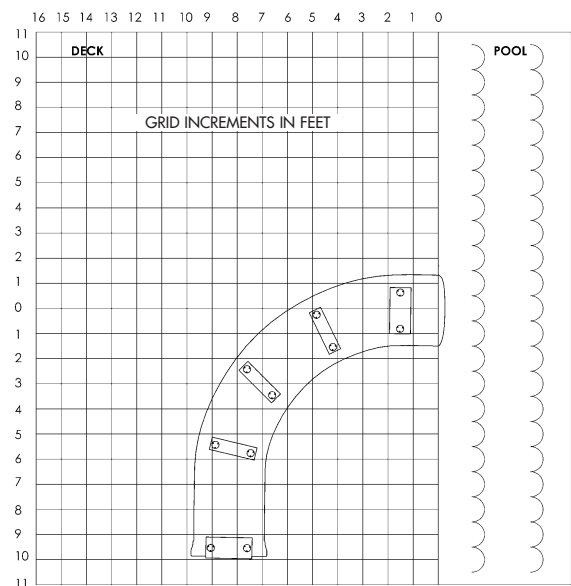


RIGHT TURN WITHOUT SUPPORTS

SLIDE POSITION: 15' GRS



15' GRS Left Turn



15' GRS Right Turn

NOTE: Please refer to the installation manual for detailed installation instructions and information.