



Name of Distributor: \_\_\_\_\_ Date: \_\_\_\_\_

Phone Number: \_\_\_\_\_ Fax Number: \_\_\_\_\_

Contact: \_\_\_\_\_ Email: \_\_\_\_\_

Dealer Name: \_\_\_\_\_ Contact: \_\_\_\_\_

Phone Number: \_\_\_\_\_ Project Name: \_\_\_\_\_

**Fax completed form to 520-790-7127 or email to customrails@inter-fab.com**  
**QUOTES ARE ONLY SENT TO POOL DISTRIBUTOR; INTER-FAB WILL NOT QUOTE DEALER OR HOMEOWNER DIRECT.**

**HANDRAIL PATTERN:**  2 Bend Handrail  3 Bend Handrail  2 Bend w/Leg  3 Bend w/Leg

All dimensions should be indicated in inches and REQUIRE the following information using CENTERLINE dims:

- \_\_\_\_\_ **A** = (For 3 Bend Handrail ONLY)
- \_\_\_\_\_ **B** = Dimension from the Bottom of Leg to the Centerline of the Peak of the Bend\*  
\*Include Amount Needed for Anchor
- \_\_\_\_\_ **C** = The Rise from the Bottom of the Top Leg to the Bottom of the Lower Leg
- \_\_\_\_\_ **D** = Dimension from the Bottom of the Leg to Where the Bend Begins\*\*  
\*\*Include Amount Needed for Anchor
- \_\_\_\_\_ **E** = The Span is the Centerline of Top Leg to the Centerline of the Lower Leg
- \_\_\_\_\_ **F** = The Rise from the Bottom of the Middle Leg to the Bottom of the Top Leg
- \_\_\_\_\_ **G** = The Span is the Centerline of the Middle Leg to the Centerline of the Lower Leg

**MUST BE COMPLETED TO QUOTE:**  Residential Use;  Commercial Use

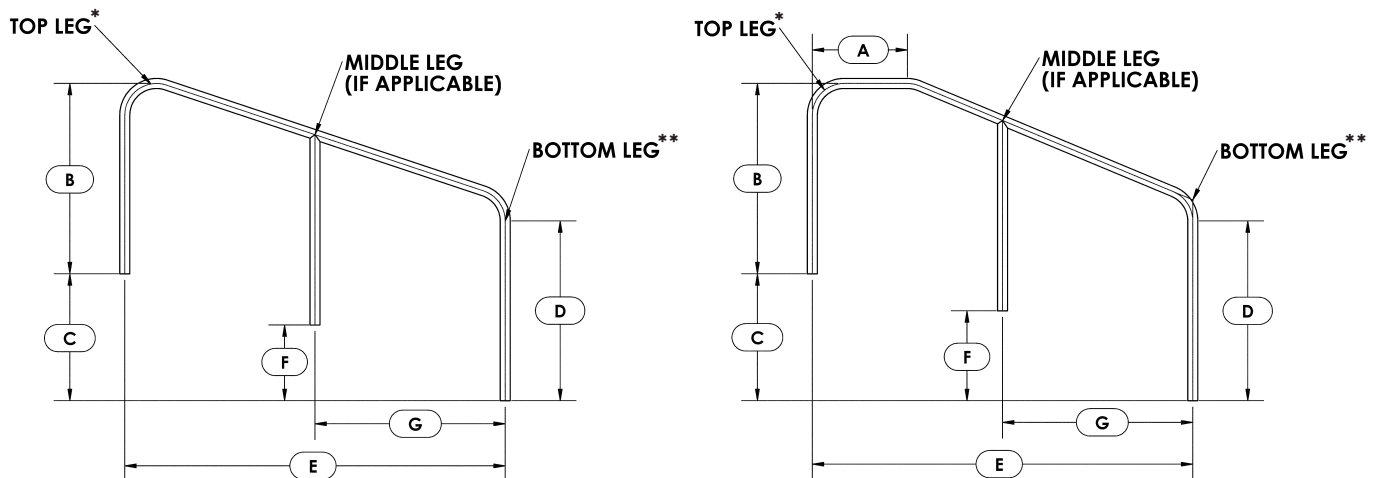
**TUBING SIZE:**  1.90 x .049;  1.90 x .065;  1.90 X .109;  1.50 X .120

**STAINLESS STEEL GRADE:**  304 (Pool Grade);  316L (Marine Grade)

**COATING:** Powder Coating:  White;  Earth;  Copper Vein;  Hammertone Gray;  Light Gray  
Please note that 4" will be taped off bottom of rail when powder coated. If only 3" is to be taped off, please indicate on Purchase Order.

Thermo Plastic Coating:  White;  Tan;  Gray  
All Thermo Plastic Coated rails are encapsulated in plastic coating and sealed at the ends with plastic caps.

**NOTES:** 1) Anchors Not Included; 2) Escutcheons Included ONLY for Powder Coated Rails and Thermo Plastic Rails





Name of Distributor: \_\_\_\_\_ Date: \_\_\_\_\_

Phone Number: \_\_\_\_\_ Fax Number: \_\_\_\_\_

Contact: \_\_\_\_\_ Email: \_\_\_\_\_

Dealer Name: \_\_\_\_\_ Contact: \_\_\_\_\_

Phone Number: \_\_\_\_\_ Project Name: \_\_\_\_\_

**Fax completed form to 520-790-7127 or email to [customrails@inter-fab.com](mailto:customrails@inter-fab.com)  
QUOTES ARE ONLY SENT TO POOL DISTRIBUTOR; INTER-FAB WILL NOT QUOTE DEALER OR HOMEOWNER DIRECT.**

**STAIR RAIL PATTERN:**  3 Bend Deck to Deck  4 Bend Deck to Deck  
 Braced Deck to Deck  Dipped Braced Deck to Deck

All dimensions should be indicated in inches and REQUIRE the following information using CENTERLINE dims:

\_\_\_\_\_ **A** = Top Span (For 4 Bend Stair Rail ONLY)

\_\_\_\_\_ **B** = Dimension from the Bottom of Leg to the Centerline of the Peak of the Bend\*  
\*Include Amount Needed for Anchor

\_\_\_\_\_ **C** = Dimension from the Bottom of the Leg to the Centerline of the Lowest Horizontal Span\*  
\*Include Amount Needed for Anchor

\_\_\_\_\_ **D** = Centerline Dimension between the Deck Posts of the Handrail

\_\_\_\_\_ **E** = Centerline Dimension between the Back Deck Leg and the Center of the Forward Bend

**MUST BE COMPLETED TO QUOTE:**  Residential Use;  Commercial Use

**TUBING SIZE:**  1.90 x .049;  1.90 x .065;  1.90 X .109;  1.50 X .120

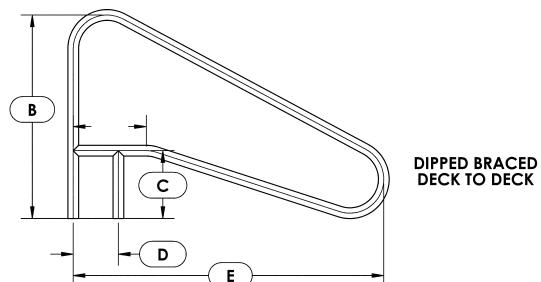
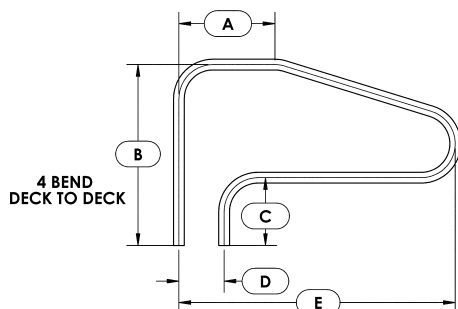
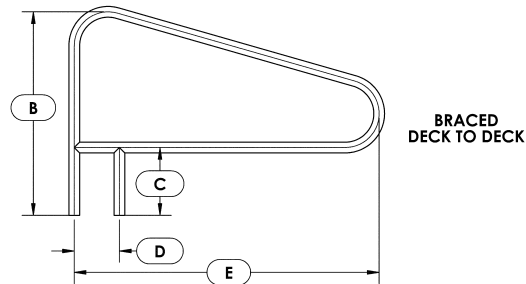
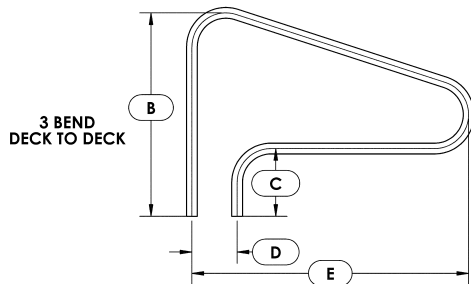
**STAINLESS STEEL GRADE:**  304 (Pool Grade);  316L (Marine Grade)

**COATING:** Powder Coating:  White;  Earth;  Copper Vein;  Hammertone Gray;  Light Gray  
Please note that 4" will be taped off bottom of rail when powder coated. If only 3" is to be taped off, please indicate on Purchase Order.

Thermo Plastic Coating:  White;  Tan;  Gray

All Thermo Plastic Coated rails are encapsulated in plastic coating and sealed at the ends with plastic caps.

**NOTES:** 1) Anchors Not Included; 2) Escutcheons Included ONLY for Powder Coated Rails and Thermo Plastic Rails





Name of Distributor: \_\_\_\_\_ Date: \_\_\_\_\_

Phone Number: \_\_\_\_\_ Fax Number: \_\_\_\_\_

Contact: \_\_\_\_\_ Email: \_\_\_\_\_

Dealer Name: \_\_\_\_\_ Contact: \_\_\_\_\_

Phone Number: \_\_\_\_\_ Project Name: \_\_\_\_\_

**Fax completed form to 520-790-7127 or email to customrails@inter-fab.com**  
**QUOTES ARE ONLY SENT TO POOL DISTRIBUTOR; INTER-FAB WILL NOT QUOTE DEALER OR HOMEOWNER DIRECT.**

**MUST BE COMPLETED TO QUOTE:**  Residential Use;  Commercial Use

**TUBING SIZE:**  1.90 x .049;  1.90 x .065;  1.90 X .109;  1.50 X .120

**STAINLESS STEEL GRADE:**  304 (Pool Grade);  316L (Marine Grade)

**COATING:** Powder Coating:  White;  Earth;  Copper Vein;  Hammertone Gray;  Light Gray  
Please note that 4" will be taped off bottom of rail when powder coated. If only 3" is to be taped off, please indicate on Purchase Order.

Thermo Plastic Coating:  White;  Tan;  Gray

All Thermo Plastic Coated rails are encapsulated in plastic coating and sealed at the ends with plastic caps.

**CUSTOM LADDER DESIGN**

All dimensions should be indicated in inches and REQUIRE the following information using CENTERLINE dims:

\_\_\_\_\_ **A** = Height from Deck to Top of Ladder

\_\_\_\_\_ **B** = Horizontal Span

\_\_\_\_\_ **C** = Length from Deck to Bottom of Ladder

\_\_\_\_\_ **D** = Distance from Deck to 1st Tread

\_\_\_\_\_ **E** = Distance between Treads

Check for Cross Brace

\_\_\_\_\_ **F** = For Cross Brace (ONLY) – Height from Deck to Bottom of Brace

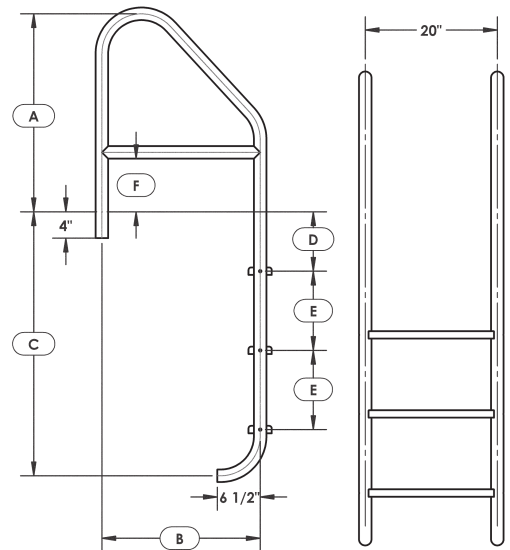
\_\_\_\_\_ Number of Treads

**TYPE OF TREAD:**  SUT (Stainless Steel Sure Step Tread)

HIP (High Impact Plastic - Residential Only)

HARTLEY (PC or TPC Only)

ICA-CP (Commercial Plastic Tread)



**CUSTOM GRAB RAIL DESIGN**

Pair  Single

All dimensions should be indicated in inches and REQUIRE the following information using CENTERLINE dims:

\_\_\_\_\_ **A** = Height from Deck to Top of Rail

\_\_\_\_\_ **B** = Distance from Deck to Centerline of the Lowest Horizontal Span

\_\_\_\_\_ **C** = Dimension between Deck Posts of Rail (anchor position)

\_\_\_\_\_ **D** = Dimension between Back of Deck Leg and the Center of the Forward Bend

