

## EDGE DIVING SYSTEM:



Part # EDGE-BASE (6' & 8' Edge Fiberglass Base & Jig)

Part # EDGE-SPRING (6' & 8' Spring Assembly)

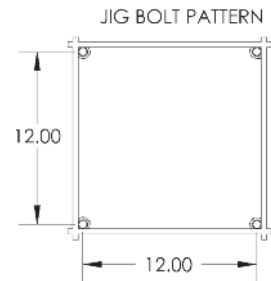
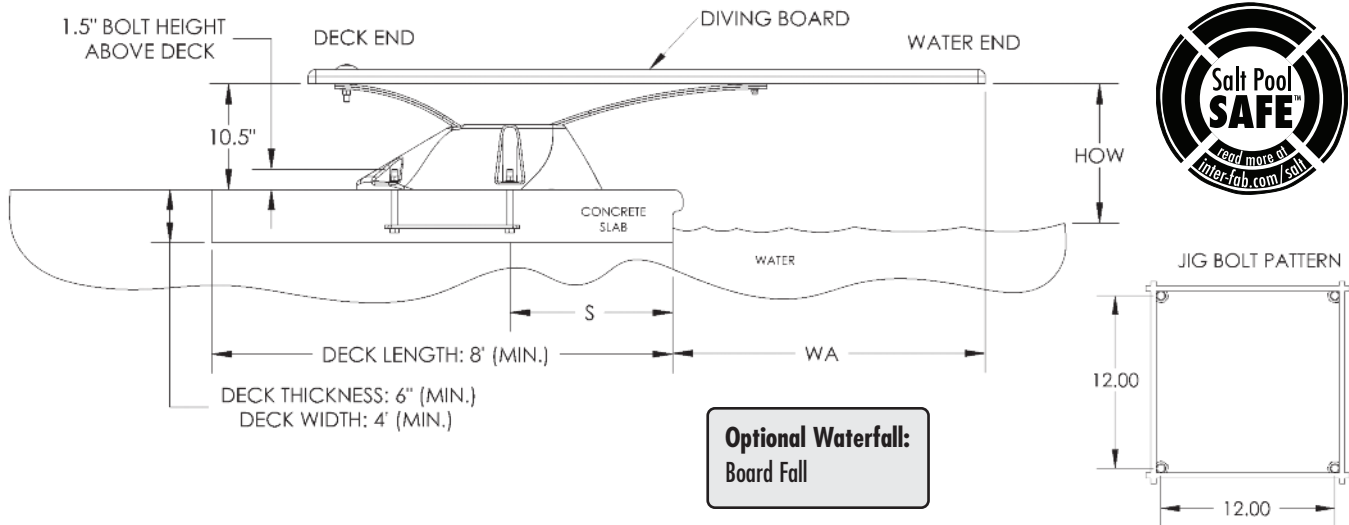
See page 133 for paver jig info.

Compatible with Epoxy Mounting Kit Part # EPX-5

### FEATURES:

- Active Base - Spring Feature is Derived from Both Base & Board
- Durable & Long Lasting Acrylic & Fiberglass Construction with Advanced Composite Springs
- Board Fall Compatible Base
- Weight Limit = 300 lbs.
- Available in 6' or 8' Set-Ups
- Custom 4 Hole Drill Pattern
- Can be Used for Retrofit Applications with Existing 12" on Center Techni-Spring Steel Jigs
- Refer to Available Base Colors on Pg. 7

**NOTE: MUST ORDER 3 PARTS FOR A COMPLETE EDGE BASE AND BOARD COMBINATION.**

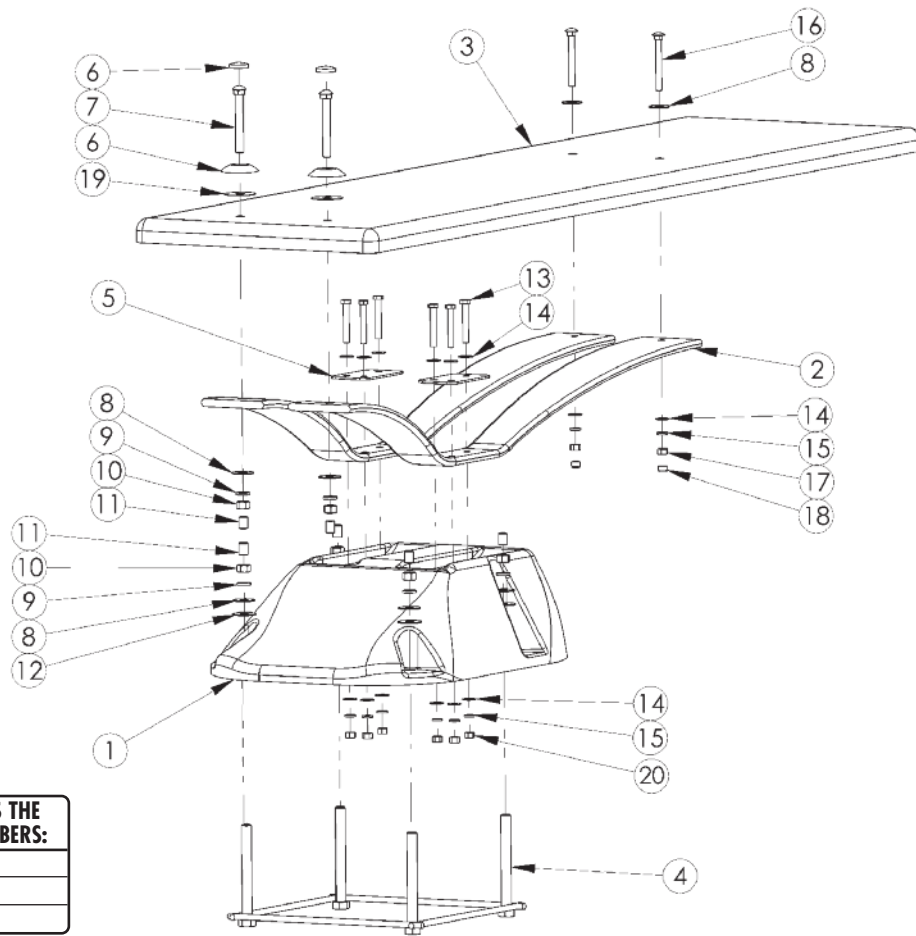


**Optional Waterfall:  
Board Fall**

**IMPORTANT:**  
THESE DIMENSIONS ARE ACCURATE ONLY FOR VERTICAL POOL WALLS, **TYPICALLY GUNITE CONSTRUCTION**, WITH LESS THAN A 3' RADIUS TO THE POOL FLOOR.  
DUE TO THE VARYING SIZES OF VINYL LINER CONSTRUCTION, IF YOU REQUIRE A JIG PLACEMENT, PLEASE REACH OUT TO OUR CUSTOMER SERVICE TEAM **AT LEAST 24 HOURS PRIOR TO INSTALLATION.** WE REQUIRE THE DRAWING, SIDE VIEW OF POOL, AND WHICH DIVING SYSTEM YOU WILL BE INSTALLING. EMAIL INFORMATION TO CUSTOMERSERVICE@INTER-FAB.COM.  
**1-800-737-5386**

EDGE DIVING SYSTEM PART #	NOMINAL BOARD LENGTH	ANSI/ POOL TYPE	DISTANCE FROM WATER'S EDGE TO FORWARD JIG BOLT (S)	DISTANCE FROM END OF BOARD TO FORWARD JIG BOLT	MIN. OVERHANG (WA)	MAX HEIGHT OF BOARD ABOVE WATER (HOW)
EDGE-BASE	6'	I	31.5"	49.5"	18"	20"
EDGE-BASE	6'	II	31.5"	49.5"	18"	20"
EDGE-BASE	6'	III	25.5"	49.5"	24"	26"
EDGE-BASE	6'	IV	19.5"	49.5"	30"	30"
EDGE-BASE	6'	V	13.5"	49.5"	36"	40"
EDGE-BASE	8'	I	NOT ALLOWED			
EDGE-BASE	8'	II	NOT ALLOWED			
EDGE-BASE	8'	III	44.25"	68.25"	24"	26"
EDGE-BASE	8'	IV	38.25"	68.25"	30"	30"
EDGE-BASE	8'	V	32.25"	68.25"	36"	40"

# EDGE DIVING SYSTEM (EDGE6WW, EDGE-BASE, EDGE-SPRING):



**DRAWING REPRESENTS THE FOLLOWING PART NUMBERS:**  
 EDGE-BASE (shown)  
 EDGE-SPRING (shown)  
 EDGE6WW (shown)

ITEM #	COMPONENT	DESCRIPTION	KITS – QTY. COUNTS			
			TS-BK	EDGE-SP	EDGE-M	EDGE
1	EDGE-BASE	Edge Diving Base				1
2	EDGE-SPRING	Edge Spring				2
3	EDGE-BOARD	Edge Diving Board				1
4	TS-EDGE-J	Edge Jig				1
5	Spring Pad (factory installed)	Edge Spring Pad				2
6	H-WHT WAS/CAP	IFI White Washer Cap			2	
7	H-SS 1/2X13X4C	1/2" – 13 X 4" Carriage Bolt S.S.			2	
8	H-SS 1/2 F WASH	1/2" Flat Washer S.S.	4		4	
9	H-SS 1/2 LOC WA	1/2" Lock Washer S.S.	4		2	
10	H-SS 1/2 H NUT	1/2" Hex Nut S.S.	4		2	
11	H-1-1/2 WHT CAP	.750 x 1-1/2" White UV Nut Cap	4		2	
12	H-1/2 NYLON WAS	1/2" Flat Nylon Washer	4			
13	H-SS 3/8-16X2-1/2	3/8" x 2 1/2" Hex Head Bolt S.S.		6		
14	H-SS 3/8 FLT WA	3/8" Flat Washer S.S.		12	2	
15	H-SS 3/8 LOC WA	3/8" Lock Washer S.S.		6	2	
16	H-SS 3/8X3-1/2C	3/8" x 3 1/2" Carriage Bolt S.S.			2	
17	H-SS 3/8 F NUT	3/8" Finish Hex Nut S.S.			2	
18	H-.531 X 1.00 CAP	.531 x 1.00 White Protective Cap			2	
19	H-1/2 BLK WASH	1/2" x 2" dia. Black Rubber Washer			2	
20	H-SS 3/8 NYLON	3/8" Nylon Insert Locknut		6		
21*	H-ANTI-SEIZE	Packet of Anti Seize Lubricant (not shown)				1

**TS-BK:**  
Base to Jig Mounting Hardware

**EDGE-SP:**  
Spring to Base Mounting Hardware

**EDGE-M:**  
Board to Springs Mounting Hardware

\* not pictured

**NOTE:** EDGE6WW diving board shown in exploded view for illustration purposes. Must be purchased separately. Protective Caps for bolts available in White only.

Check your local electrical code for bonding requirements.