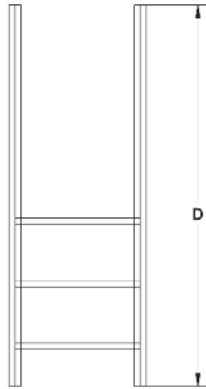
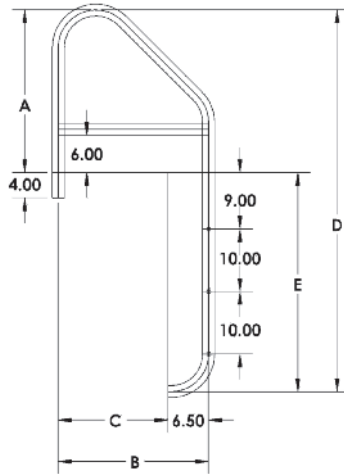
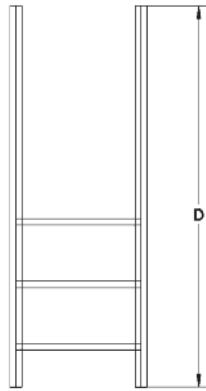
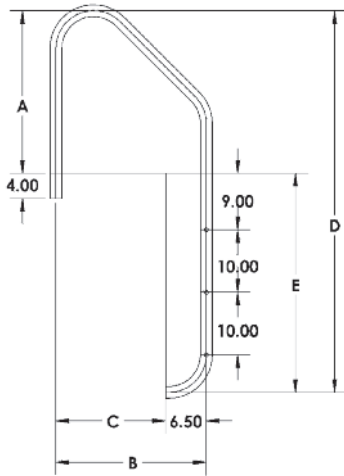


MARINE GRADE RAILS

PDF GUIDE

STANDARD COMMERCIAL LADDERS: (6" RADIUS)



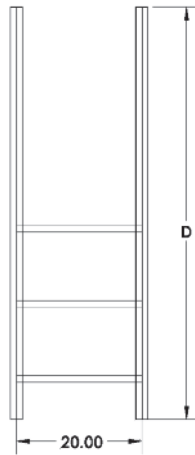
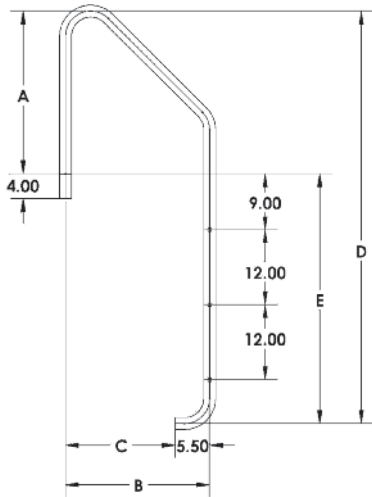
FEATURES:

- 2 Step through 5 Step
- 24", 30" and 36" Spans
- 6" Radius Bends
- 20" on Center Mount
- 1.90" x .065" Wall Thickness
- 304 or 316L Stainless Steel
- Stainless Steel or Plastic Tread
- Anchors NOT included



PART NUMBER	DESCRIPTION	A	B	C	D	E
COML224065S	2 tread commercial ladder 24" Sure-Step Tread	26	24	17.5	51	25
COML324065S	3 tread commercial ladder 24" Sure-Step Tread	26	24	17.5	61	35
COML424065S	4 tread commercial ladder 24" Sure-Step Tread	26	24	17.5	71	45
COML524065S	5 tread commercial ladder 24" Sure-Step Tread	26	24	17.5	81	55
COML230065S	2 tread commercial ladder 30" Sure-Step Tread	26	30	23.5	51	25
COML330065S	3 tread commercial ladder 30" Sure-Step Tread	26	30	23.5	61	35
COML430065S	4 tread commercial ladder 30" Sure-Step Tread	26	30	23.5	71	45
COML530065S	5 tread commercial ladder 30" Sure-Step Tread	26	30	23.5	81	55
COML236065S	2 tread commercial ladder 36" Sure-Step Tread	31	36	29.5	61	30
COML336065S	3 tread commercial ladder 36" Sure-Step Tread	31	36	29.5	71	40
COML436065S	4 tread commercial ladder 36" Sure-Step Tread	31	36	29.5	81	50
COML536065S	5 tread commercial ladder 36" Sure-Step Tread	31	36	29.5	91	60
COML2CB24065S	2 tread commercial ladder 24" Sure-Step Tread w/ crossbrace	26	24	17.5	51	25
COML3CB24065S	3 tread commercial ladder 24" Sure-Step Tread w/ crossbrace	26	24	17.5	61	35
COML4CB24065S	4 tread commercial ladder 24" Sure-Step Tread w/ crossbrace	26	24	17.5	71	45
COML5CB24065S	5 tread commercial ladder 24" Sure-Step Tread w/ crossbrace	26	24	17.5	81	55
COML2CB30065S	2 tread commercial ladder 30" Sure-Step Tread w/ crossbrace	26	30	23.5	51	25
COML3CB30065S	3 tread commercial ladder 30" Sure-Step Tread w/ crossbrace	26	30	23.5	61	35
COML4CB30065S	4 tread commercial ladder 30" Sure-Step Tread w/ crossbrace	26	30	23.5	71	45
COML5CB30065S	5 tread commercial ladder 30" Sure-Step Tread w/ crossbrace	26	30	23.5	81	55
COML2CB36065S	2 tread commercial ladder 36" Sure-Step Tread w/ crossbrace	31	36	29.5	61	30
COML3CB36065S	3 tread commercial ladder 36" Sure-Step Tread w/ crossbrace	31	36	29.5	71	40
COML4CB36065S	4 tread commercial ladder 36" Sure-Step Tread w/ crossbrace	31	36	29.5	81	50
COML5CB36065S	5 tread commercial ladder 36" Sure-Step Tread w/ crossbrace	31	36	29.5	91	60

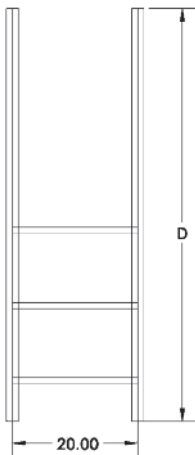
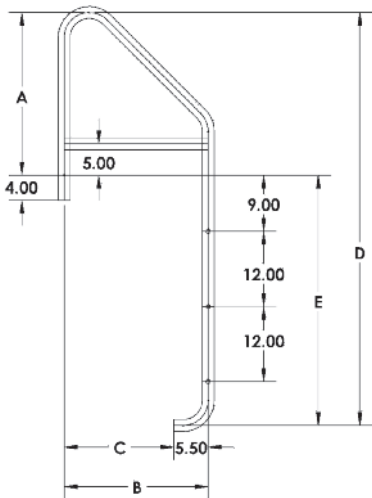
SPECIAL 4" RADIUS BEND COMMERCIAL LADDERS:



FEATURES:

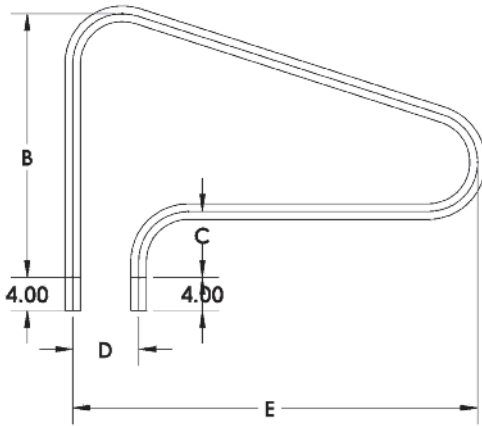
- 2 Step through 5 Step
- 23", 29" and 35" Spans
- 4" Radius Bends
- 20" on Center Mount
- 1.90" or 1.50" Outside Diameter Tubing
- .065", .109", .145" or .120" Wall Thickness
- 304 or 316L Stainless Steel
- Stainless Steel* or Plastic Tread
- Anchors NOT included

*Stainless Steel treads available for 1.90" only



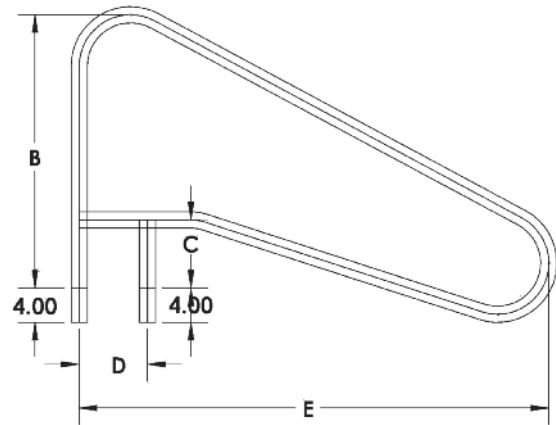
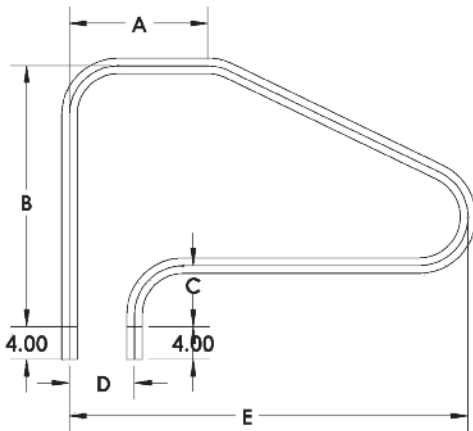
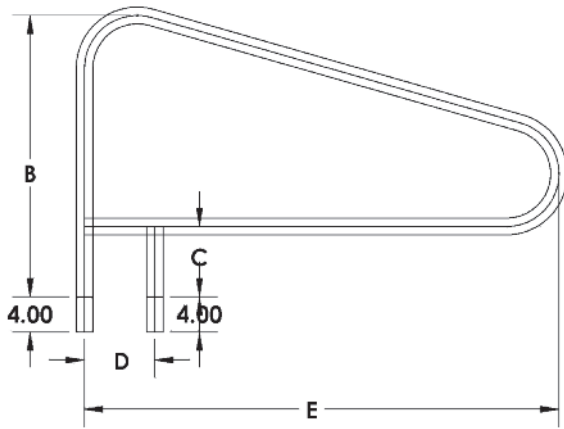
PART NUMBER	DESCRIPTION	A	B	C	D	E
4RL223065S	2 Tread 4" Radius Ladder 23" Sure-Step Tread 1.90 X .065"	26	23	17.5	54	28
4RL323065S	3 Tread 4" Radius Ladder 23" Sure-Step Tread 1.90 X .065"	26	23	17.5	66	40
4RL423065S	4 Tread 4" Radius Ladder 23" Sure-Step Tread 1.90 X .065"	26	23	17.5	78	52
4RL523065S	5 Tread 4" Radius Ladder 23" Sure-Step Tread 1.90 X .065"	26	23	17.5	90	64
4RL229065S	2 Tread 4" Radius Ladder 29" Sure-Step Tread 1.90 X .065"	26	29	23.5	54	28
4RL329065S	3 Tread 4" Radius Ladder 29" Sure-Step Tread 1.90 X .065"	26	29	23.5	66	40
4RL429065S	4 Tread 4" Radius Ladder 29" Sure-Step Tread 1.90 X .065"	26	29	23.5	78	52
4RL529065S	5 Tread 4" Radius Ladder 29" Sure-Step Tread 1.90 X .065"	26	29	23.5	90	64
4RL235065S	2 Tread 4" Radius Ladder 35" Sure-Step Tread 1.90 X .065"	31	35	29.5	59	28
4RL335065S	3 Tread 4" Radius Ladder 35" Sure-Step Tread 1.90 X .065"	31	35	29.5	71	40
4RL435065S	4 Tread 4" Radius Ladder 35" Sure-Step Tread 1.90 X .065"	31	35	29.5	83	52
4RL535065S	5 Tread 4" Radius Ladder 35" Sure-Step Tread 1.90 X .065"	31	35	29.5	95	64
4RL2CB23065S	2 Tread 4" Radius Ladder 23" Sure-Step Tread w/Crossbrace 1.90 X .065"	26	23	17.5	54	28
4RL3CB23065S	3 Tread 4" Radius Ladder 23" Sure-Step Tread w/Crossbrace 1.90 X .065"	26	23	17.5	66	40
4RL4CB23065S	4 Tread 4" Radius Ladder 23" Sure-Step Tread w/Crossbrace 1.90 X .065"	26	23	17.5	78	52
4RL5CB23065S	5 Tread 4" Radius Ladder 23" Sure-Step Tread w/Crossbrace 1.90 X .065"	26	23	17.5	90	64
4RL2CB29065S	2 Tread 4" Radius Ladder 29" Sure-Step Tread w/Crossbrace 1.90 X .065"	26	29	23.5	54	28
4RL3CB29065S	3 Tread 4" Radius Ladder 29" Sure-Step Tread w/Crossbrace 1.90 X .065"	26	29	23.5	66	40
4RL4CB29065S	4 Tread 4" Radius Ladder 29" Sure-Step Tread w/Crossbrace 1.90 X .065"	26	29	23.5	78	52
4RL5CB29065S	5 Tread 4" Radius Ladder 29" Sure-Step Tread w/Crossbrace 1.90 X .065"	26	29	23.5	90	64
4RL2CB35065S	2 Tread 4" Radius Ladder 35" Sure-Step Tread w/Crossbrace 1.90 X .065"	31	35	29.5	59	28
4RL3CB35065S	3 Tread 4" Radius Ladder 35" Sure-Step Tread w/Crossbrace 1.90 X .065"	31	35	29.5	71	40
4RL4CB35065S	4 Tread 4" Radius Ladder 35" Sure-Step Tread w/ Crossbrace 1.90 X .065"	31	35	29.5	83	52
4RL5CB35065S	5 Tread 4" Radius Ladder 35" Sure-Step Tread w/ Crossbrace 1.90 X .065"	31	35	29.5	95	64

STAIR RAILS:



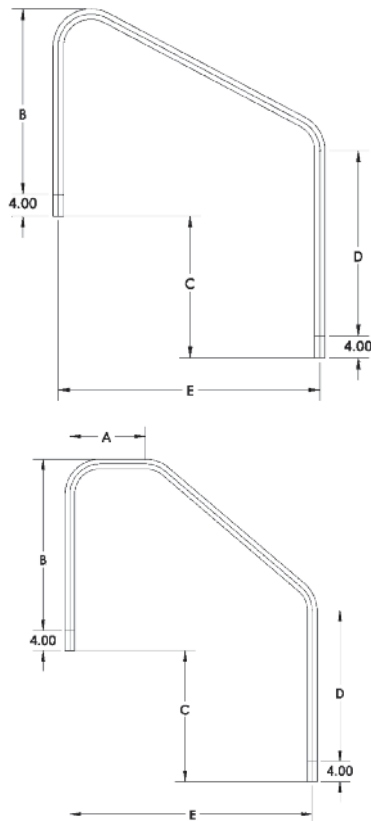
FEATURES:

- 6" Radius Bends
- 8" on Center Mount
(anchors NOT included)
- 304 or 316L Stainless Steel



PART NUMBER	DESCRIPTION	A	B	C	D	E
D3D50065	Deck to Deck mounted 3 bend stair rail .065" wall Thickness (50" span)		32	8	8	49.2
D3D60065	Deck to Deck mounted 3 bend stair rail .065" wall Thickness (60" span)		32	8	8	60
D4D065	Deck to Deck mounted 4 bend stair rail .065" wall Thickness	17	32	7.5	8	49
D3BD065	Deck to Deck mounted 3 bend stair rail .065" wall Thickness with brace		32	8	8	54
D4BD065	Deck to Deck mounted 4 bend stair rail .065" wall Thickness with brace		32	8	8	55

DECK TO STAIR HANDRAILS:



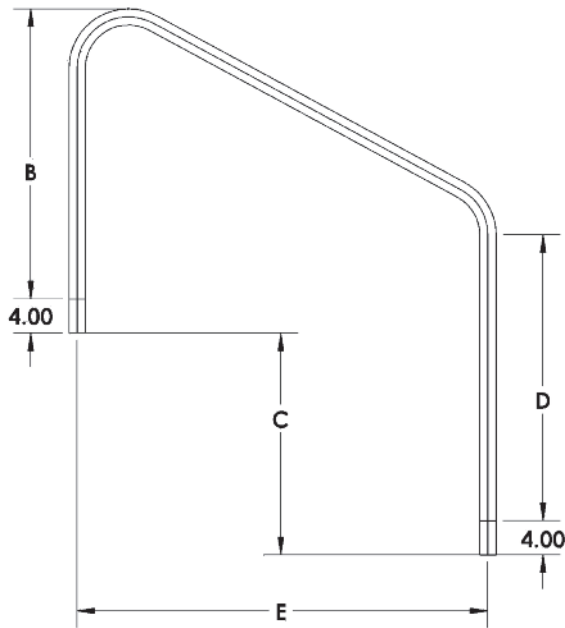
FEATURES:

- 1.90" x .065" Wall Thickness
- 304 or 316L Stainless Steel
- 12" and 24" Extensions Available
- Anchors NOT included



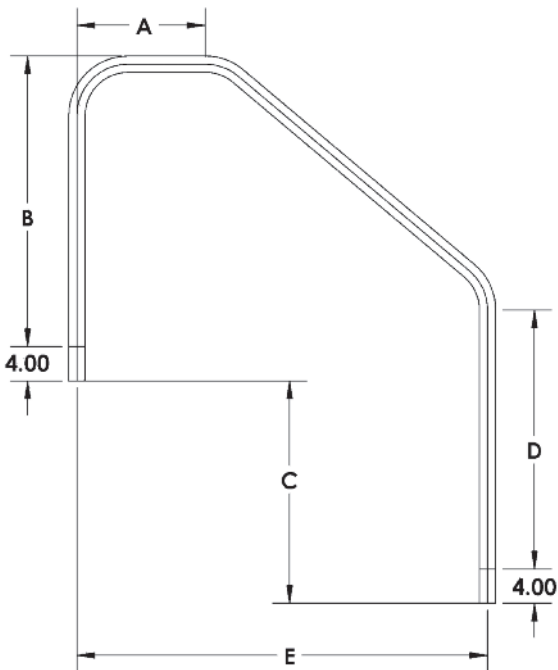
PART NUMBER	DESCRIPTION	A	B	C	D	E
D2S4065	4' Deck to Stair mounted 2 bend hand rail .065" wall Thickness		34	26	34	48
D2S5065	5' Deck to Stair mounted 2 bend hand rail .065" wall Thickness		34	36	34	60
D2S6065	6' Deck to Stair mounted 2 bend hand rail .065" wall Thickness		34	46	34	72
D3S4065	4' Deck to Stair mounted 3 bend hand rail .065" wall Thickness	15	34	26	30	48
D3S5065	5' Deck to Stair mounted 3 bend hand rail .065" wall Thickness	15	34	36	30	60
D3S5.5065	5.5' Deck to Stair mounted 3 bend hand rail .065" wall Thickness	15	34	36	30	66
D3S6065	6' Deck to Stair mounted 3 bend hand rail .065" wall Thickness	15	34	46	30	72
D3S6.5065	6.5' Deck to Stair mounted 3 bend hand rail .065" wall Thickness	36	34	34	30	78
D3S7065	7' Deck to Stair mounted 3 bend hand rail .065" wall Thickness	24	34	40	28	84
D3S8065	8' Deck to Stair mounted 3 bend hand rail .065" wall Thickness	24	34	40	28	96
WITH EXTENSIONS						
D2S4065-12EXT	4' Deck to Stair mounted 2 bend hand rail .065" wall Thickness w/ 12" ext on pool side step leg		34	26	46	48
D2S4065-24EXT	4' Deck to Stair mounted 2 bend hand rail .065" wall Thickness w/ 24" ext on pool side step leg		34	26	58	48
D2S4065-12X2	4' Deck to Stair mounted 2 bend hand rail .065" wall Thickness w/ 12" ext on both legs		46	26	46	48
D2S5065-12EXT	5' Deck to Stair mounted 2 bend hand rail .065" wall Thickness w/ 12" ext on pool side step leg		34	36	58	60
D2S5065-24EXT	5' Deck to Stair mounted 2 bend hand rail .065" wall Thickness w/ 24" ext on pool side step leg		34	36	58	60
D2S5065-12X2	5' Deck to Stair mounted 2 bend hand rail .065" wall Thickness w/ 12" ext on both step legs		46	36	46	60
D2S6065-12EXT	6' Deck to Stair mounted 2 bend hand rail .065" wall Thickness w/12" ext on pool side step leg		34	46	46	72
D2S6065-24EXT	6' Deck to Stair mounted 2 bend hand rail .065" wall Thickness w/24" ext on pool side step leg		34	46	58	72
D2S6065-12X2	6' Deck to Stair mounted 2 bend hand rail .065" wall Thickness w/12" ext on both step legs		46	46	46	72
D3S4065-12EXT	4' Deck to Stair mounted 3 bend hand rail .065" wall Thickness w/12" ext on pool side step leg	15	34	26	42	48
D3S4065-24EXT	4' Deck to Stair mounted 3 bend hand rail .065" wall Thickness w/24" ext on pool side step leg	15	34	26	54	48
D3S4065-12X2	4' Deck to Stair mounted 3 bend hand rail .065" wall Thickness w/12" ext on both legs	15	46	26	42	48
D3S5065-12EXT	5' Deck to Stair mounted 3 bend hand rail .065" wall Thickness w/12" ext on pool side step leg	15	34	36	42	60
D3S5065-24EXT	5' Deck to Stair mounted 3 bend hand rail .065" wall Thickness w/24" ext on pool side step leg	15	34	36	54	60
D3S5065-12X2	5' Deck to Stair mounted 3 bend hand rail .065" wall Thickness w/12" ext on both step legs	15	46	36	42	60
D3S5.5065-12EXT	5.5' Deck to Stair mounted 3 bend hand rail .065" wall Thickness w/12" ext on pool side step leg	15	34	36	42	66
D3S6065-12EXT	6' Deck to Stair mounted 3 bend hand rail .065" wall Thickness w/12" ext on pool side step leg	15	34	46	42	72
D3S6065-24EXT	6' Deck to Stair mounted 3 bend hand rail .065" wall Thickness w/24" ext on pool side step leg	15	34	46	54	72
D3S6065-12X2	6' Deck to Stair mounted 3 bend hand rail .065" wall Thickness w/12" ext on both step legs	15	46	46	42	72
D3S6.5065-12EXT	6.5' Deck to Stair mounted 3 bend hand rail .065" wall Thickness w/12" ext on pool side step leg	36	34	34	42	78
D3S7065-12EXT	7' Deck to Stair mounted 3 bend hand rail .065" wall Thickness w/12" ext on pool side step leg	24	34	40	40	84
D3S7065-12X2	7' Deck to Stair mounted 3 bend hand rail .065" wall Thickness w/12" ext on both step legs	24	46	40	40	84
D3S8065-12EXT	8' Deck to Stair mounted 3 bend hand rail .065" wall Thickness w/12" ext on pool side step leg	24	34	40	40	96
D3S8065-12X2	8' Deck to Stair mounted 3 bend hand rail .065" wall Thickness w/12" ext on pool side step leg	24	34	40	40	96

MULTI-APPLICATION HANDRAILS (HEAVY DUTY):



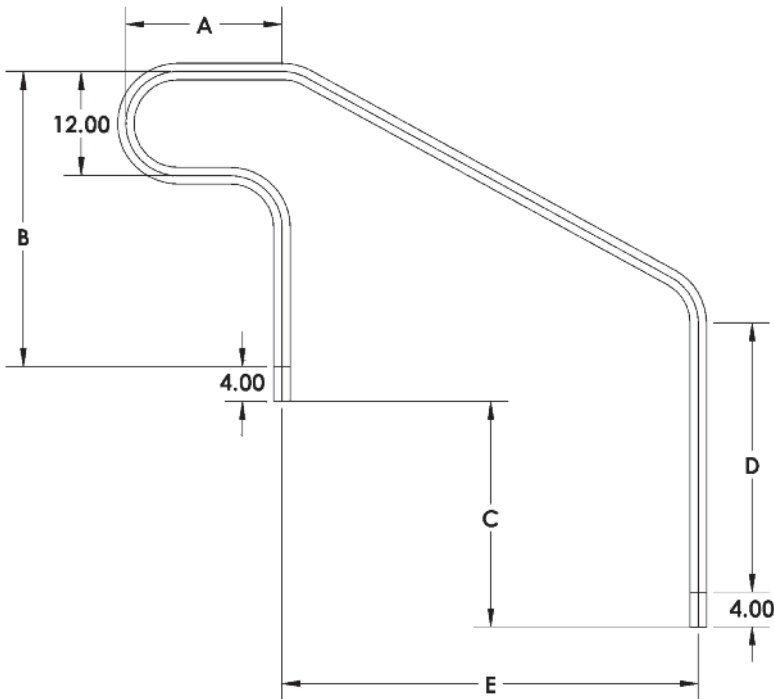
FEATURES:

- 1.90" or 1.50" Outside Diameter Tubing
- .065", .109", .145" or .120" Wall Thickness
- 304 or 316L Stainless Steel
- Anchors NOT included



PART NUMBER	DESCRIPTION	A	B	C	D	E
MAD2S4065	4' Multi-Application Deck to Stair Mounted 2 Bend Hand Rail .065" Wall Thickness		34	26	33.5	48
MAD2S5065	5' Multi-Application Deck to Stair Mounted 2 Bend Hand Rail .065" Wall Thickness		34	34	33.8	60
MAD2S6065	6' Multi-Application Deck to Stair Mounted 2 Bend Hand Rail .065" Wall Thickness		34	42	34	72
MAD3S4065	4' Multi-Application Deck to Stair Mounted 3 Bend Hand Rail .065" Wall Thickness	15	34	26	30.3	48
MAD3S5065	5' Multi-Application Deck to Stair Mounted 3 Bend Hand Rail .065" Wall Thickness	15	34	34	30.2	60
MAD3S6065	6' Multi-Application Deck to Stair Mounted 3 Bend Hand Rail .065" Wall Thickness	15	34	42	30.1	72

ADA EXTENDED HANDRAILS:



FEATURES:

- 1.90" x .065" Wall Thickness
- 304 or 316L Stainless Steel
- Complies with the ADA Accessibility Guidelines for Buildings and Facilities (ADAAG)



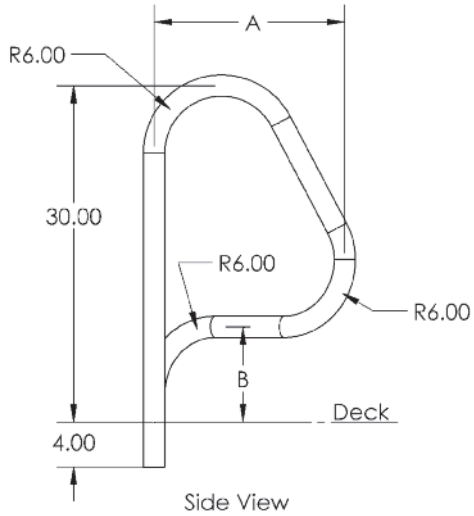
PART NUMBER	DESCRIPTION	A	B	C	D	E
ADA48065	4' ADA Extended Deck to Stair Mounted Hand Rail .065" Wall Thickness	18	34	26	31	48
ADA60065	5' ADA Extended Deck to Stair Mounted Hand Rail .065" Wall Thickness	18	34	36	31	60
ADA72065	6' ADA Extended Deck to Stair Mounted Hand Rail .065" Wall Thickness	18	34	46	31	72

ADA NOTE: In order to meet the ADA minimum vertical handrail height requirement, we are modifying our commercial handrails to be 34" off the deck at the TOP of the rail. In the past, we have indicated the on center measurements. The following is the requirement under Titles II and III:

"Section 505.4 Height. Top of gripping surfaces of handrails shall be 34 inches (865 mm) minimum and 38 inches (965 mm) maximum vertically above walking surfaces, stair nosings, and ramp surfaces. Handrails shall be at a consistent height above walking surfaces, stair nosings, and ramp surfaces."

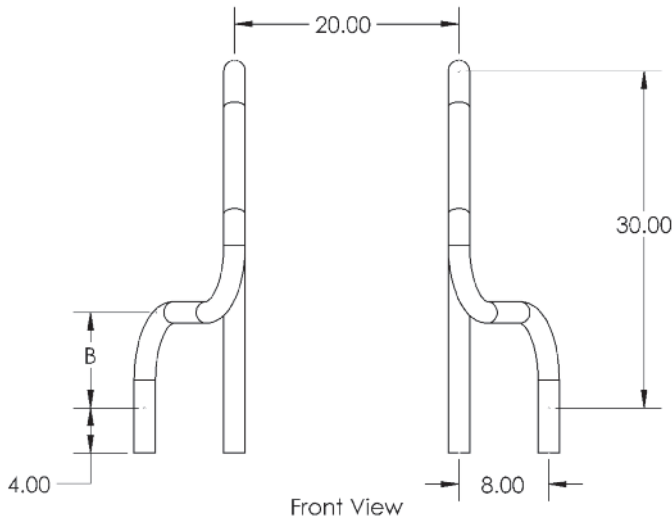
We are ONLY changing the commercial version of the rails, NOT the residential.

PRETZEL BEND HANDRAIL:



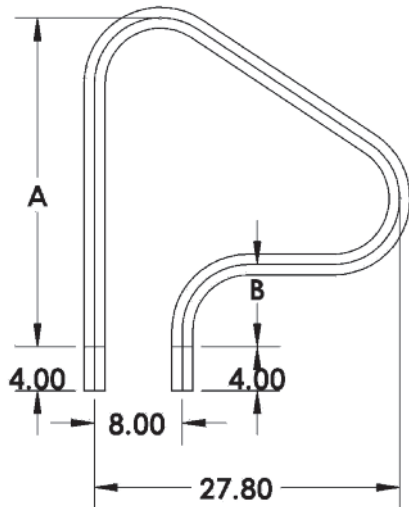
FEATURES:

- Sold as Pairs
- 1.90" or 1.50" Outside Diameter Tubing
- .109", .145" or .120" Wall Thickness
- Anchors NOT included



PART NUMBER	DESCRIPTION	A	B
PZ17	17" Offset Figure 4 Pretzel Rail (Pair)	17	8.5
PZ26	26" Offset Figure 4 Pretzel Rail (Pair)	26	10.63
PZ30	30" Offset Figure 4 Pretzel Rail (Pair)	30	10.63
PAPZ26	26" Offset Figure 4 Pacific Pretzel Rail (Pair)	26	
PAPZ30	30" Offset Figure 4 Pacific Pretzel Rail (Pair)	30	

GRAB RAILS:



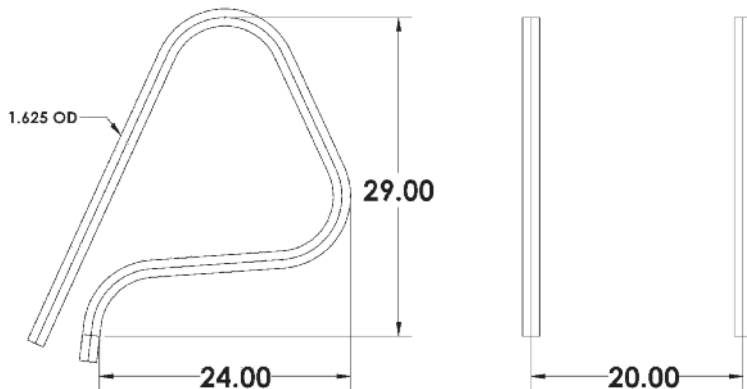
FEATURES:

- Available as Pair or Single
- 1.90" Outside Diameter Tubing
- .065", .109" or .145" Wall Thickness
- 304 or 316L Stainless Steel
- 12" and 17" Extensions Available
- Anchors NOT included



PART NUMBER	DESCRIPTION	A	B
G3D065	Figure 4 Grab rail .065 wall thickness (Pair)	30	7.5
G3D065S-12EXT	Figure 4 Grab rail .065 wall thickness (Single) with 12" extension on both legs	42	19.5
G3D065S-17EXT	Figure 4 Grab rail .065 wall thickness (Single) with 17" extension on both legs	47	24.5

COMMERCIAL RING:



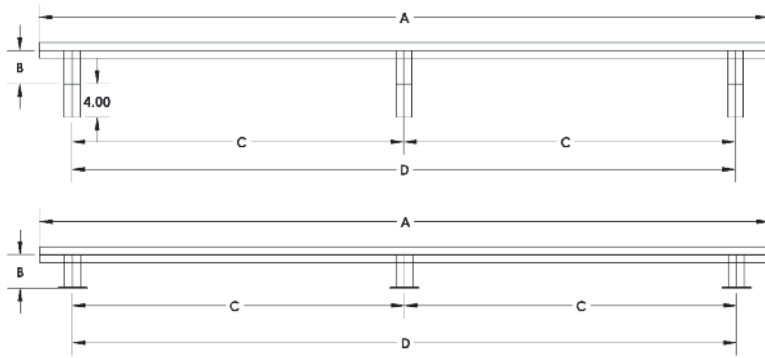
FEATURES:

- Sold as Pair
- 1.625" x .065" Wall Thickness
- 304 Stainless Steel



PART NUMBER	DESCRIPTION
COMGRO65	Commercial Ring style Grab Rail in 1.625" OD x .065" wall thickness (Pair)

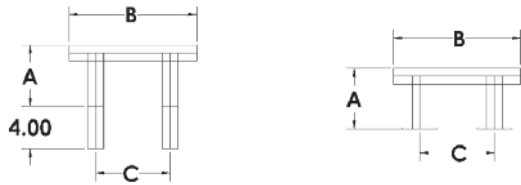
THERAPY & EXERCISE BARS:



FEATURES:

- With or without Flanges (flanged includes mounting hardware)
- 1.90" or 1.50" Outside Diameter Tubing
- .065" or .120" Wall Thickness
- 304 or 316L Stainless Steel
- Install to extend approximately 4" from the pool wall
- Anchors NOT included

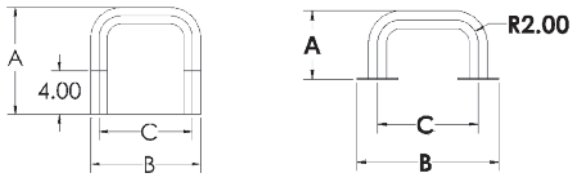
STRAIGHT ADA TRANSFER BAR OPTIONS:



FEATURES:

- With or without Flanges (flanged includes mounting hardware)
- 1.50" x .120" Wall Thickness
- 316L Stainless Steel
- Anchors NOT included

BENT ADA TRANSFER BAR OPTIONS:



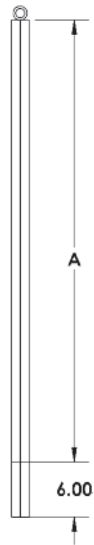
FEATURES:

- With or without Flanges (flanged includes mounting hardware)
- 1.50" x .120" Wall Thickness
- 316L Stainless Steel
- Anchors NOT included

PART NUMBER	DESCRIPTION	A	B	C	D	E
Therapy Exercise Bars						
TH48065	48" Therapy Bar w/o Flanges 1.90 x .065" Wall Thickness	48	4		40	
TH88065	88" Therapy Bar w/o Flanges 1.90 x .065" Wall Thickness	88	4	40	80	
TH48065FL	48" Therapy Bar with Flanges 1.90 x .065" Wall Thickness					
TH88065FL	88" Therapy Bar with Flanges 1.90 x .065" Wall Thickness					
Straight Transfer Bars						
TBS12	12" Straight ADA Transfer Bar w/o Flanges 1.50 x .120" Wall Thickness (MG)	5.75	12	7		
TBS14	14" Straight ADA Transfer Bar w/o Flanges 1.50 x .120" Wall Thickness (MG)	5.75	14	9		
TBS16	16" Straight ADA Transfer Bar w/o Flanges 1.50 x .120" Wall Thickness (MG)	5.75	16	11		
TBS18	18" Straight ADA Transfer Bar w/o Flanges 1.50 x .120" Wall Thickness (MG)	5.75	18	13		
TBS12FL	12" Straight ADA Transfer Bar with Flanges 1.50 x .120" Wall Thickness (MG)	5.75	12	7		
TBS14FL	14" Straight ADA Transfer Bar with Flanges 1.50 x .120" Wall Thickness (MG)	5.75	14	9		
TBS16FL	16" Straight ADA Transfer Bar with Flanges 1.50 x .120" Wall Thickness (MG)	5.75	16	11		
TBS18FL	18" Straight ADA Transfer Bar with Flanges 1.50 x .120" Wall Thickness (MG)	5.75	18	13		
Bent Transfer Bars						
TBB121.50	12" Bent ADA Transfer Bar w/o Flanges 1.50 x .120" Wall Thickness (MG)	5.75	10			
TBB141.50	14" Bent ADA Transfer Bar w/o Flanges 1.50 x .120" Wall Thickness (MG)	5.75	12			
TBB161.50	16" Bent ADA Transfer Bar w/o Flanges 1.50 x .120" Wall Thickness (MG)	5.75	14			
TBB181.50	18" Bent ADA Transfer Bar w/o Flanges 1.50 x .120" Wall Thickness (MG)	5.75	16			
TBB121.50FL	12" Bent ADA Transfer Bar with Flanges 1.50 x .120" Wall Thickness (MG)	5.75	12	8.5		
TBB141.50FL	14" Bent ADA Transfer Bar with Flanges 1.50 x .120" Wall Thickness (MG)	5.75	14	10.5		
TBB161.50FL	16" Bent ADA Transfer Bar with Flanges 1.50 x .120" Wall Thickness (MG)	5.75	16	12.5		
TBB181.50FL	18" Bent ADA Transfer Bar with Flanges 1.50 x .120" Wall Thickness (MG)	5.75	18	14.5		



BACKSTROKE STANCHIONS:

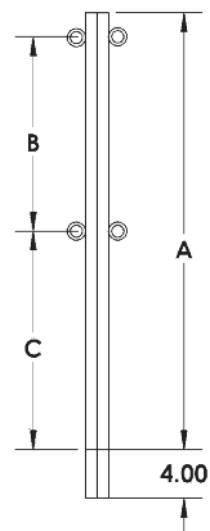
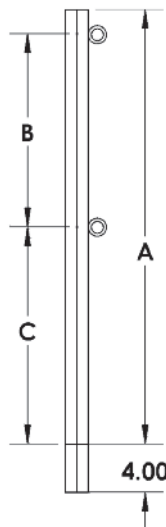


FEATURES:

- 1.90" Outside Diameter Tubing
- .065", .109" and .145" Wall Thickness
- 304 and 316L Stainless Steel
- Anchors NOT included



CROWD CONTROL STANCHIONS:



PART NUMBER	DESCRIPTION	A	B	C
Backstroke Stanchions				
ST4.5	4'-6" Backstroke Stanchion 1.90 x .109" Wall Thickness	48		
ST8	8' Backstroke Stanchion 1.90 x .109" Wall Thickness	90		
Crowd Control Stanchions				
ST1E3	3' Crowd Control Stanchion with 1 Eyebolt 1.90 x 065" Wall Thickness	36		
ST2E3	3' Crowd Control Stanchion with 2 Eyebolts 1.90 x 065" Wall Thickness	36	16	18
ST4E3	3' Crowd Control Stanchion with 4 Eyebolts 1.90 x 065" Wall Thickness	36	16	18

LIMITED WARRANTY

Inter-Fab, Inc. will repair or replace, at its option, any product manufactured by Inter-Fab, Inc. that fails during the applicable warranty period because of a manufacturing or material defect; provided that the defect is not the result of improper installation, improper use or care, negligence, alterations or modifications to the product, or natural accidents (acts of God). The applicable warranty period for products manufactured by Inter-Fab, Inc. is three (3) years from the date of retail purchase, except as specified below:

Echoes of Nature™ products are individually handcrafted and painted by skilled artisans and as a result, dimensional differences and color variations are normal and are not a basis for warranty coverage. The warranty period for pumps sold with the Echoes of Nature™ products is three (3) years from the date of retail purchase.

Water Sports™ sports equipment warranty periods are as follows: Volleyball Poles, Basketball Poles, Basketball Rim, and Basketball Backboard are one (1) year from date of retail purchase. Volleyball, Volleyball Net, Basketball, Basketball Net, and pumps are warranted for ninety (90) days from date of retail purchase.

The **Board Fall**, **Board Fall-L** (LED), and **Board Fall-F** (fiber optic) water features, used for the **Jump & Splash™**, **T7™** and **aquaBoard™** products, have a warranty period of one (1) year from the date of retail purchase.

Zoomerang™ slide products warranty period is one (1) year from the date of retail purchase.

Build Your Own Slide™ (BYOS™), **Build Your Own Slide 2™** (BYOS 2™), **Garden Ride Series™**, **Pool/Spa Table™**, **Pool/Spa Seat™**, and **Pool Lifestyle™** products warranty periods are one (1) year from the date of retail purchase.

City 2™ Slide and **City Base™** products warranty period are one (1) year from the date of retail purchase.

i-Lift™ products warranty period are two (2) years from the date of original shipment. The **battery**, **charger**, **receiver** (control box on i-Lift), **transmitter** (remote), and **actuator** have a warranty period of one (1) year from the date of original shipment.

Unless expressly stated otherwise all products manufactured by Inter-Fab are for **residential installation (single family residence)** inground pool use only. Inter-Fab, Inc. expressly disclaims any and all warranties and liability arising from the installation or use of its residential products for any non-residential use such as semi-public, public, or commercial applications. Products expressly manufactured for commercial installation and use will be subject to this limited warranty.

This limited warranty is in lieu of all other warranties, whether express or implied. Inter-Fab, Inc. disclaims any warranty of merchantability or fitness for a particular use, and noninfringement in relation to any of its products and Inter-Fab, Inc. is not liable for consequential, incidental or specific damages. This warranty is limited to the repair or replacement of the manufacturing or material defect, or refund of the original purchase price, whichever is less, at the sole option of Inter-Fab, Inc., and expressly does not cover any labor or reinstallation expenses related to the replacement of any and all Inter-Fab products. This limited warranty shall be the sole and exclusive remedy of irrespective of whether the claims are made in contract, tort, warranty, law, equity or by statute.

This warranty is to the original purchaser of the product only. Inter-Fab's limited warranty is neither transferable nor portable from consumer to consumer. The effective coverage date begins at the date of retail purchase. Product owner or representative must notify Inter-Fab, Inc. (or its wholesale agent) in writing, giving a full description of the nature of the product defect or failure along with proof of purchase, serial number(s) of the product and photos within thirty (30) days of the expiration of the applicable warranty period. Inter-Fab, Inc. reserves the right to physically inspect damaged or defective products or components to determine the cause of the damage or defect, prior to authorizing repair or replacement of its products.



Customer Service / Technical Support
Monday – Friday: 7am – 4pm MST
(800) 737-5386 • customerservice@inter-fab.com